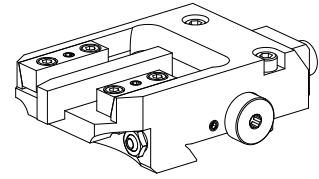


## Turning tool holder MS16/MS22 Square 12x, double

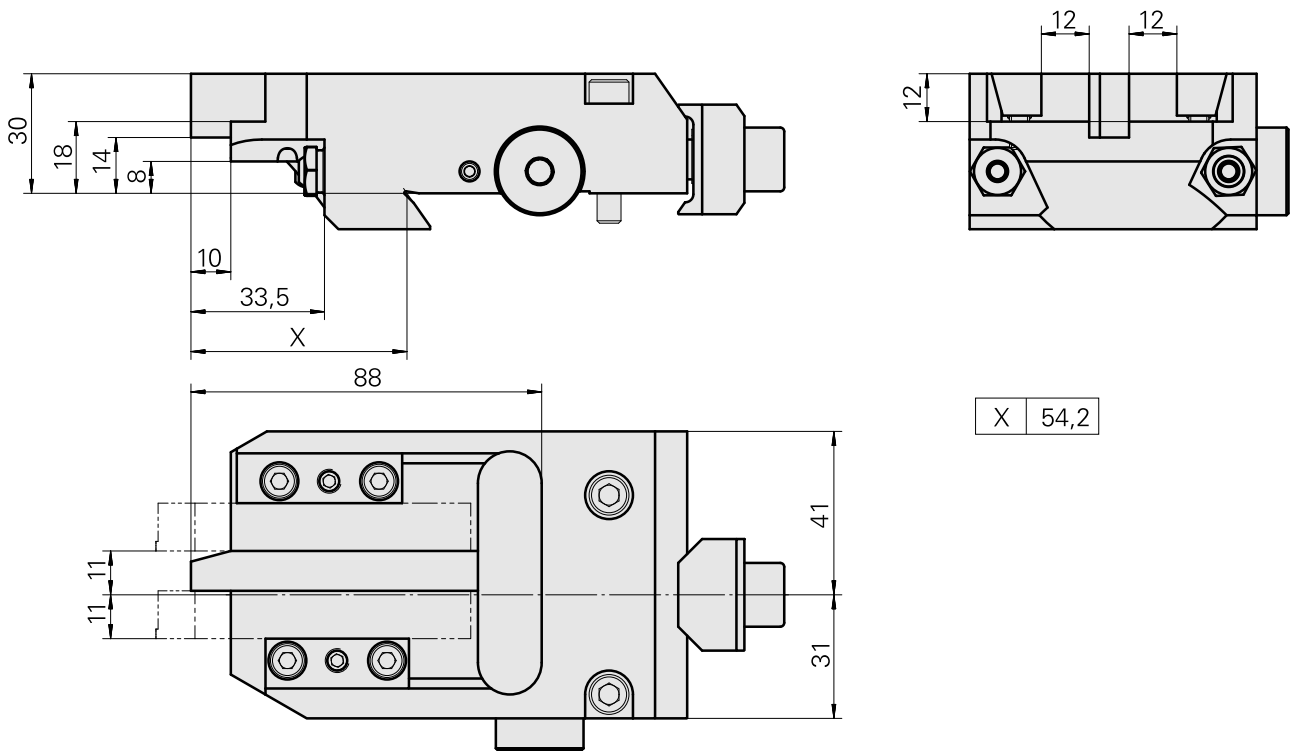
### Technical data

Slide system MS	MS16/MS22
Drive	not live
Fixation MS	Dovetail
Cooling	external
Pressure	80 bar
Mounting	Square 12x12
X [mm]	54,2 (2,13")
Y [mm]	±11 (±0,43")
Z [mm]	18 (0.71)
INDEX TRAUB products	MS22-8



### Note

The swivel movement of the holder ( $\pm 3.5^\circ$ ) changes the clearance angle ( $\pm 3.5^\circ$ ). Only use tools with a clearance angle  $> 6^\circ$



## Documents

No downloads available for this product

## Accessories

Optional accessories

### Other accessories

#### [Ball nozzle D8xM5](#)

Product ID : 10392450

Previous product ID : W02019.0002

---

#### [Hollow screw M12x1](#)

Product ID : 10757766

Previous product ID : W02013.0001

---

#### [Bush 4x8x12](#)

Product ID : 10831938

Previous product ID : W02010.0002

---