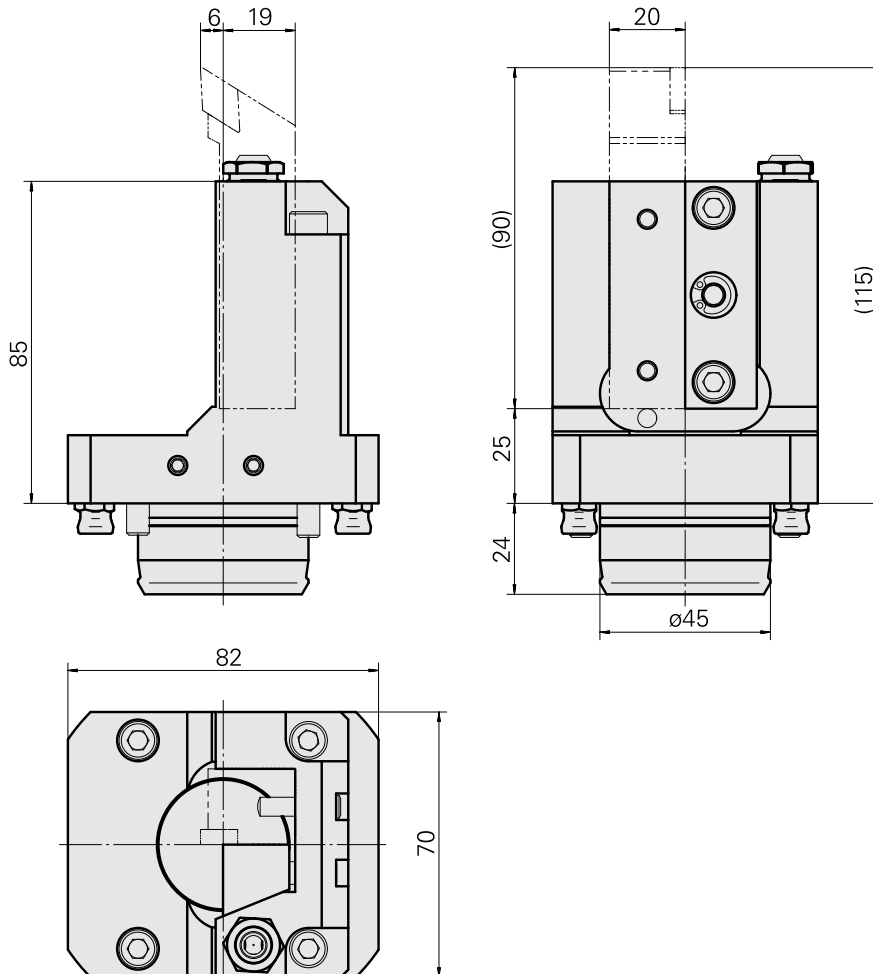
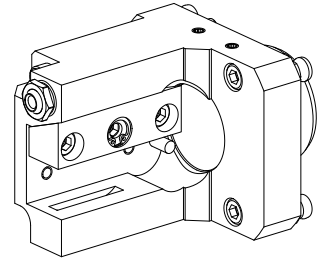


## Turning tool holder KPS 45 square 20x20

### Technical data

|                      |   |
|----------------------|---|
| Shank KPS            | KPS 45  |
| Drive                | not live  |
| Cooling              | external and internal   |
| Mounting             | Square 20x20  |
| Pressure             | 80 bar  |
| X [mm]               | 85 (3.35")  |
| Y [mm]               | -   |
| Z [mm]               | -19 (-0.75)   |
| INDEX TRAUB products | TNL18 • TNL20 • TNL32 •<br>TNL32-11 • TNL32-11 compact<br>• TNL20-11 • TNL32 compact<br>• TNK40.2-10 • TNK40.2-8 •<br>TNL20.2 |



---

## Documents

No downloads available for this product

## Accessories

### Optional accessories

#### Tool holder accessories

#### [Coolant tube, L=100 mm \(3.93"\)](#)

Product ID : 10346684

Previous product ID : W9990559

TH accessories  
category  
Cooling lubricant tube

Mounting  
M6

#### Other accessories

#### [Coolant Nozzle](#)

Product ID : 11031912

Previous product ID : W67500.3208

---

#### [BUSHING 10 D x 6 D x 12,5](#)

Product ID : 10670360

Previous product ID : W67530.0824

---

#### [HOLLOW SCREW M14x1 M14x1](#)

Product ID : 10105238

Previous product ID : W67530.0818

---

#### [Nozzle M6 mit D1,6](#)

Product ID : 10147428

Previous product ID : W00019.0216

---