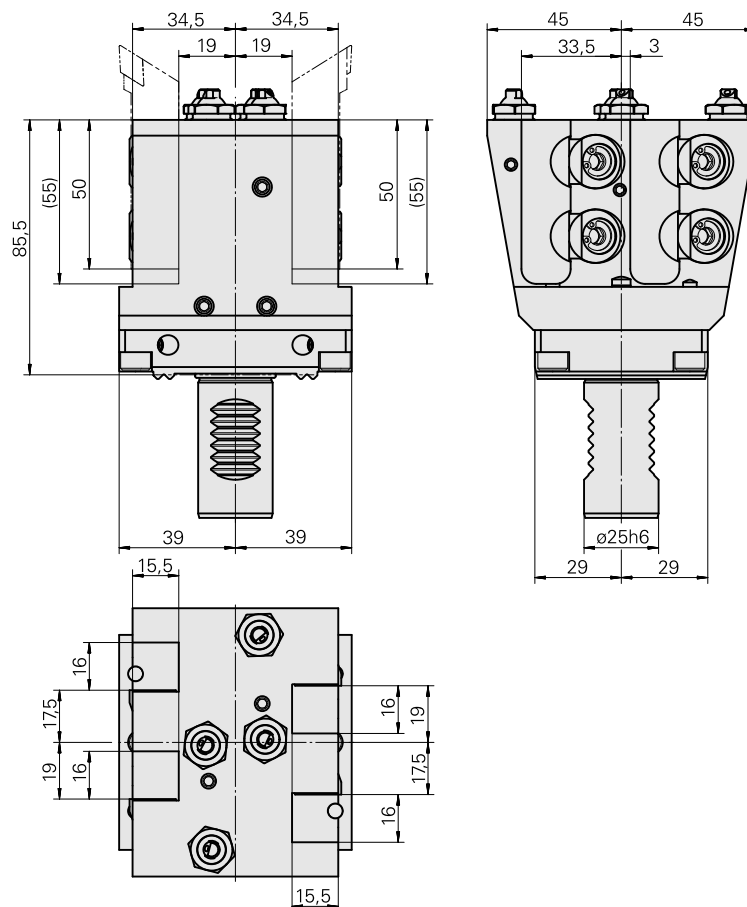
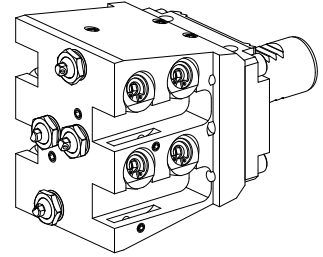


## Turning tool holder VDI 25 square 16x16, double, both sides

### Technical data

Shank VDI	VDI 25
Drive	not live
Fixation VDI	W serration
Cooling	external and internal
Pressure	80 bar
Mounting	Square 16x16
reversible 180°	yes
Data carrier	tool station bore present
X [mm]	85.5 (3.37")
Y [mm]	+3 +33.5 (+0.12 +1.32)
Z [mm]	19 (0.75)
INDEX TRAUB products	G220 • G220.3 • TNX220.3 • TNX200.3 • G200.3 • TNX160.2



## Documents

No downloads available for this product

## Accessories

### Optional accessories

#### Other accessories

#### [Sealing kit](#)

Product ID : 12181692

Previous product ID :

---

#### [PLUG 10,5 D MIT O-RING 479105.0801](#)

Product ID : 10823291

Previous product ID : W67221.4198

---

#### [HOLLOW SCREW M14x1 M14x1](#)

Product ID : 10105238

Previous product ID : W67530.0818

---

#### [BUSHING 10 D x 6 D x 12,5](#)

Product ID : 10670360

Previous product ID : W67530.0824

---

#### [Nozzle Kugel D10 - Bohrung D2 40°](#)

Product ID : 10072335

Previous product ID : 910693

---

#### [Data carrier - BIS M-122-02/A](#)

Product ID : 12147357

Previous product ID :

---

---

Data carrier - BIS C-122-04/L

Product ID : 10878866

Previous product ID : 252310.1003

---

Glue

Product ID : 12229404

Previous product ID :

---