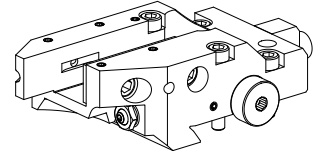


Turning tool holder MS16/MS22 Square 20x

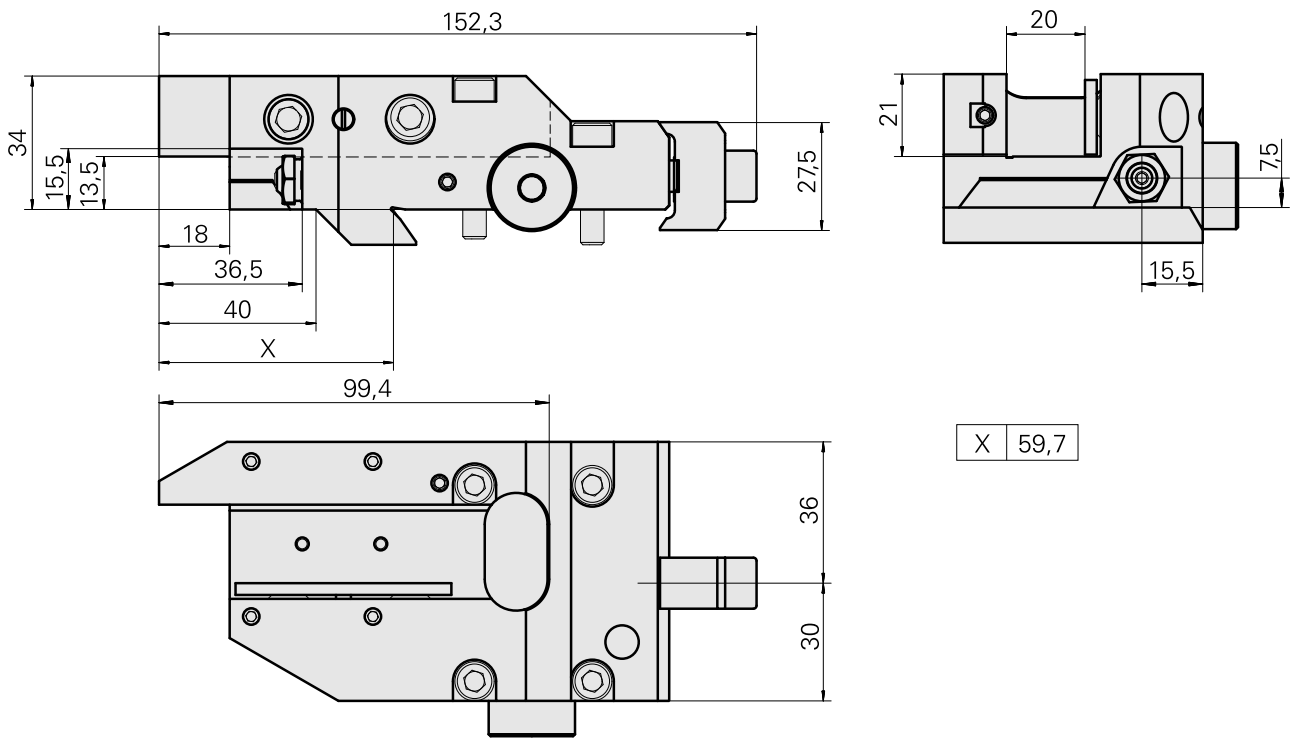
Technical data

| | |
|-----------------------------|---|
| Slide system MS | MS16/MS22 |
| Drive | not live |
| Fixation MS | Dovetail |
| Cooling | external and internal |
| Pressure | 80 bar |
| Direction | right-handed run |
| Mounting | Square 20x20 |
| X [mm] | 60 (2.36") |
| Y [mm] | – |
| Z [mm] | 13.5 (0.53) |
| INDEX TRAUB products | A100 • MS22-6 • MS22-8 • MS24-6 • MS24-8 |



Note

Stop plate is not included!



Documents

No downloads available for this product

Accessories

Optional accessories

Other accessories

[Stop plate](#)

Product ID : 12124016

Previous product ID :

[Plate](#)

Product ID : 10367559

Previous product ID : W00016.0123

[Ball nozzle D8xM5](#)

Product ID : 10392450

Previous product ID : W02019.0002

[Hollow screw M12x1](#)

Product ID : 10757766

Previous product ID : W02013.0001

[Socket head screw](#)

Product ID : 10271192

Previous product ID : 410270.0512

[Grub screw M 4x6](#)

Product ID : 10238758

Previous product ID : 410158.0406
