

3-jaw chuck

Technical data

INDEX TRAUB products

B400 • TNA400.2 • B400.3 •
TNA400.3

Spindle clearance

82mm

Machining side

Main spindle

manufacturer product line

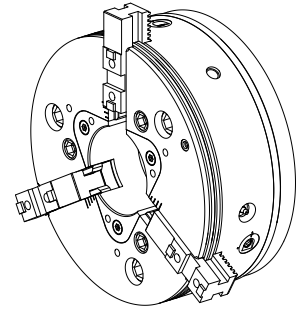
ROTA THW PLUS 315-104 A8

Spindle mounting

KK 8

manufacturer product line

Schunk



No 3-side view is currently available for this product

Documents

No downloads available for this product

Accessories

Optional accessories

Other accessories

[Cover](#)

Product ID : 12068460

Previous product ID :
