

**Adaptor**

**Technical data**

**TH accessories category**

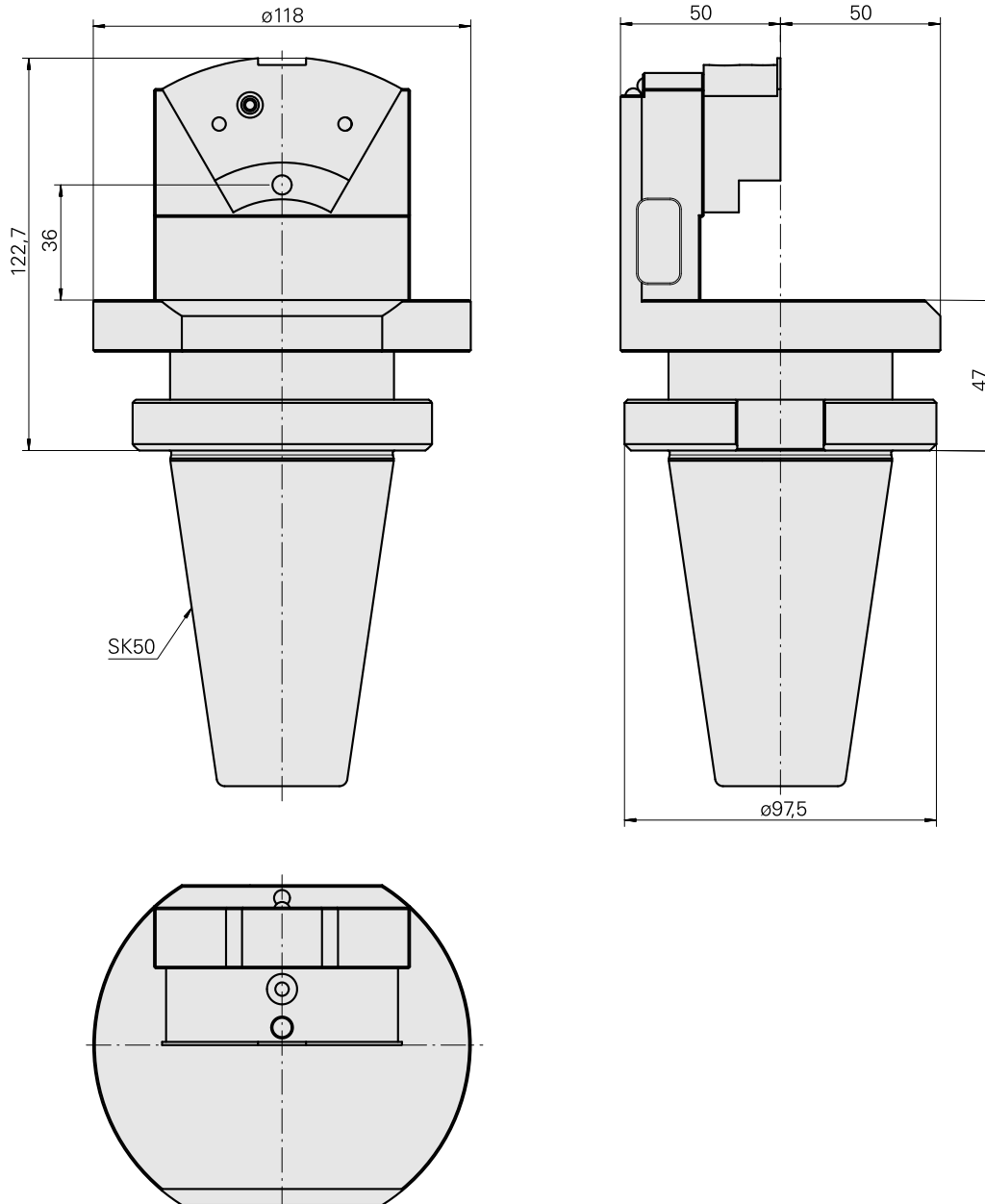
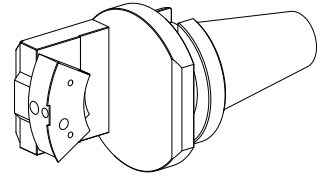
Adapter for presetting units

**Mounting**

SK50

**Tool mounting**

Round prism mounting TNL12



## **Documents**

No downloads available for this product