

## 3-jaw chuck

### Technical data

**INDEX TRAUB products**

R300

**Spindle clearance**

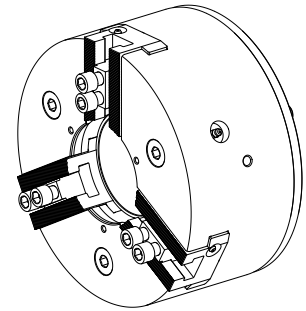
102mm

**Machining side**

Main spindle • Counter spindle

**Spindle mounting**

KK 8



No 3-side view is currently available for this product

## Documents

No downloads available for this product

## Accessories

Required for operation

### [Adaptor](#)

Product ID : 10752279

Previous product ID : 908127.8351

---

### [RING PG 20213](#)

Product ID : 10801809

Previous product ID : 479103.1141

manufacturer product  
line  
Trelleborg

TSS material no.

Cord size  
1.78 Millimeter

manufacturer product  
line  
O-ring