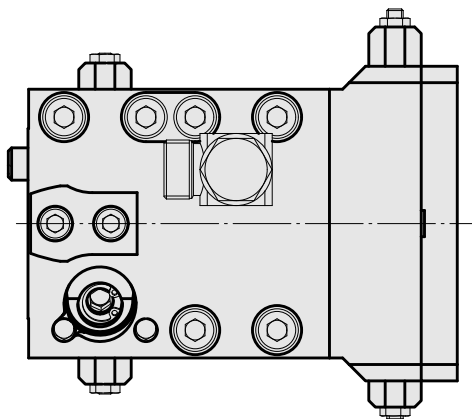
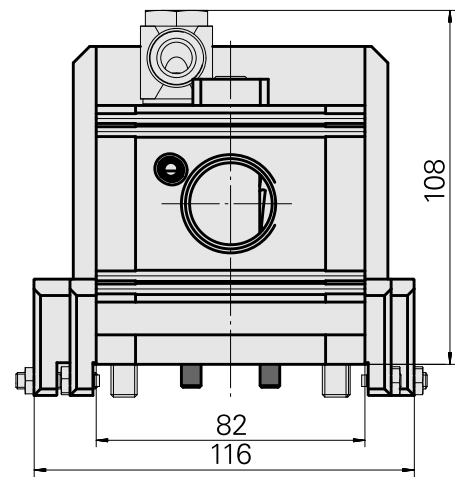
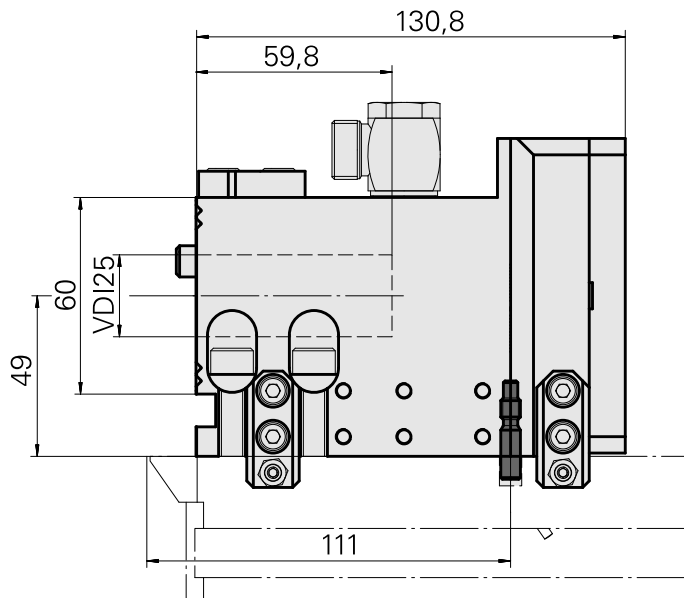
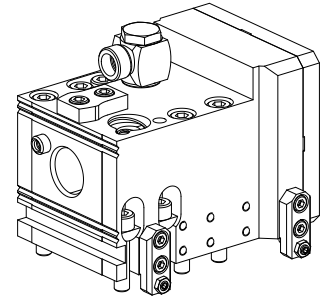


## Tool mounting MS32/MS40 VDI 25

### Technical data

|                      |                       |
|----------------------|-----------------------|
| Slide system MS      | MS32/MS40             |
| Drive                | not live              |
| Fixation MS          | Splined key/pin       |
| Cooling              | external and internal |
| Pressure             | 80 bar                |
| Mounting             | VDI 25                |
| X [mm]               | -                     |
| Y [mm]               | -                     |
| Z [mm]               | 49 (1.93)             |
| INDEX TRAUB products | MS40-6                |



## Documents

No downloads available for this product

## Accessories

Optional accessories

### Other accessories

[Multiple swivel joint 12L G1/4Z-WD Schwenkverschrbg](#)

Product ID : 10978762

Previous product ID : 470659.1201

---