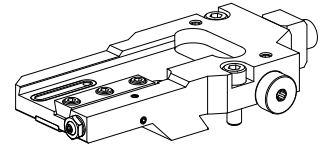


## Grooving tool and stop holder MS32/MS40

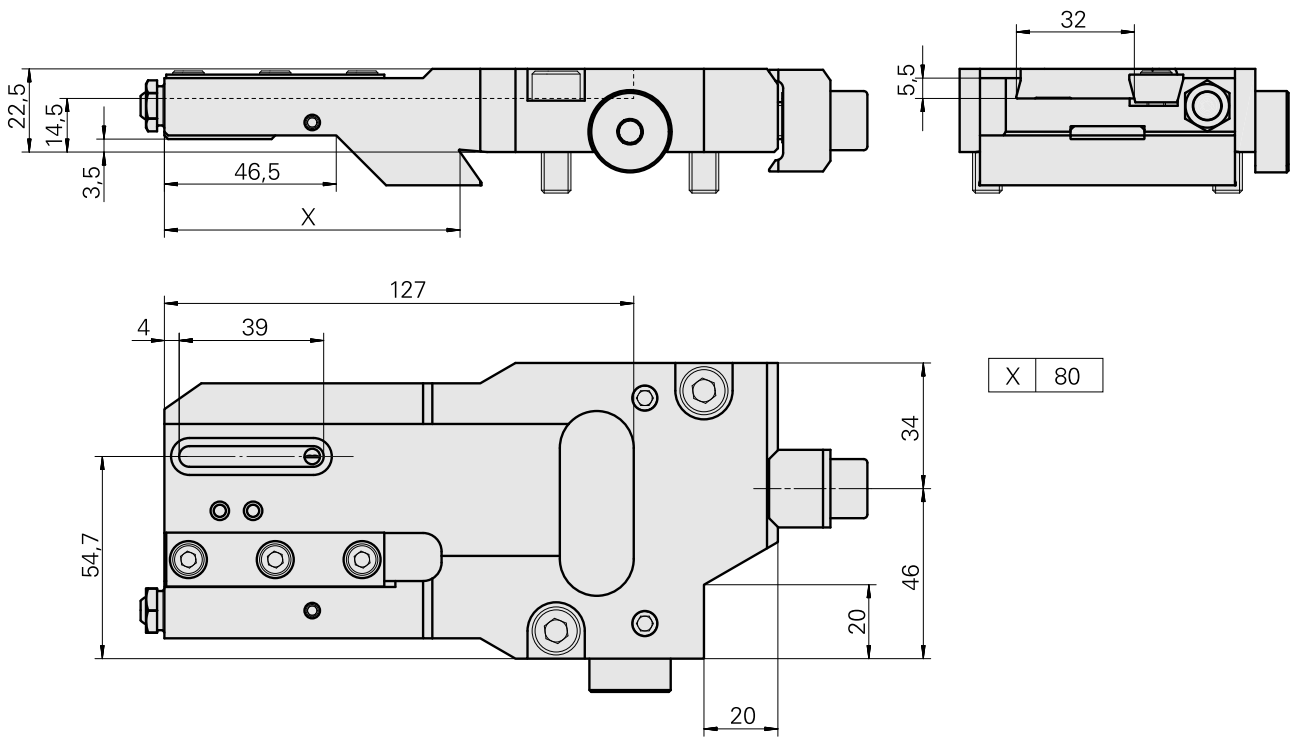
### Technical data

<b>Slide system MS</b>	MS32/MS40
<b>Drive</b>	not live
<b>Fixation MS</b>	Dovetail
<b>Cooling</b>	external and internal
<b>Pressure</b>	80 bar
<b>Direction</b>	right-handed run
<b>Mounting</b>	Trapezoid 32x8
<b>X [mm]</b>	80 (3.15")
<b>Y [mm]</b>	–
<b>Z [mm]</b>	14.5 (0.57)
<b>INDEX TRAUB products</b>	MS40-8



### Note

Can be used only in position 8.2!



---

## Documents

No downloads available for this product

## Accessories

Required for operation

### [Bush 4x8x12](#)

Product ID : 10831938

Previous product ID : W02010.0002

---

### [Hollow screw M12x1](#)

Product ID : 10757766

Previous product ID : W02013.0001

---

### [Ball nozzle D8xM5](#)

Product ID : 10392450

Previous product ID : W02019.0002

---

Optional accessories

### Other accessories

#### [Stop plate](#)

Product ID : 10217059

Previous product ID : W00019.0064

---

### [Countersunk screw M 4x 8/T20 verzinkt 402314 8](#)

Product ID : 10586100

Previous product ID : 410362.0408

---