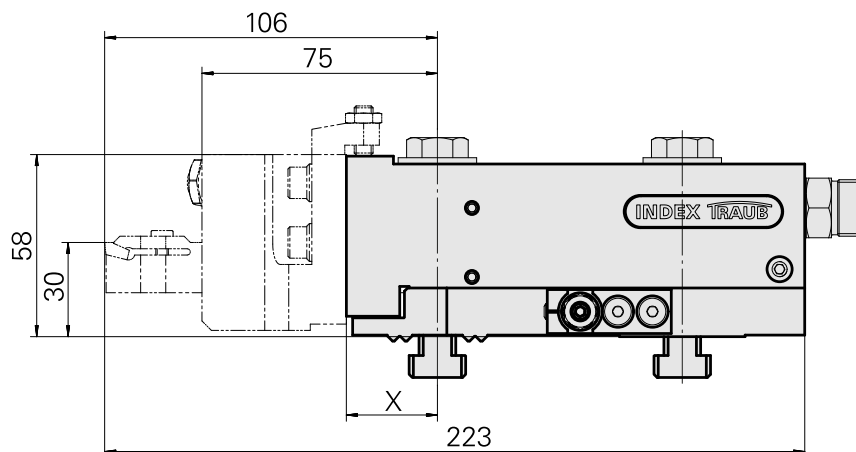
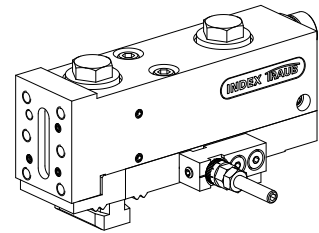


## Basic holder MS16 grooving slide, angle-adjustable

### Technical data

<b>Slide system MS</b>	MS16 grooving slide
<b>Drive</b>	not live
<b>Fixation MS</b>	W serration
<b>Cooling</b>	external
<b>Pressure</b>	80 bar
<b>X [mm]</b>	29 (1.14")
<b>Y [mm]</b>	–
<b>Z [mm]</b>	–
<b>INDEX TRAUB products</b>	MS16-6 • MS16-6 Plus



X	29
---	----

## Documents

### Product notes

[DE \(pdf\)](#)

[EN \(pdf\)](#)

[FR \(pdf\)](#)

[PT \(pdf\)](#)

## Accessories

### Optional accessories

#### MS tool holders

#### [Grooving tool holding block Square 16x16, adjustable in Y direction](#)

Product ID : 10320028

Previous product ID : W9990722

Drive not live	Cooling external	Pressure 80 bar	Direction left-handed run
Mounting Square 16x16	X [mm] 46 (1.81")	Y [mm] -	Z [mm] 22 (0.87)
INDEX TRAUB products MS16-6 • MS16-6 Plus			

#### [Grooving tool holding block Square 16x16, adjustable in Y direction](#)

Product ID : 10600943

Previous product ID : W9990723

Drive not live	Cooling external	Pressure 80 bar	Direction right-handed run
Mounting Square 16x16	X [mm] 46 (1.81")	Y [mm] -	Z [mm] 22 (0.87)
INDEX TRAUB products MS16-6 • MS16-6 Plus			

#### Other accessories

11082821  
W5150006

**INDEX**

---

EX.SOC.PLUG/4Z-908 VSTI R 1/4-ED

Product ID : 10886676  
Previous product ID : 410773.0025

---

Stop Feineinstellung; klein

Product ID : 10786502  
Previous product ID : W9990769

---