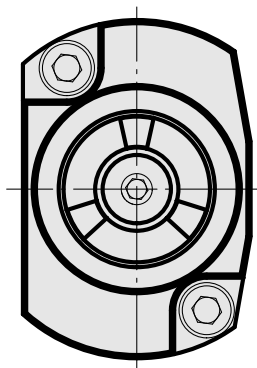
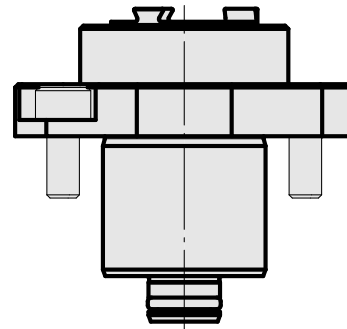
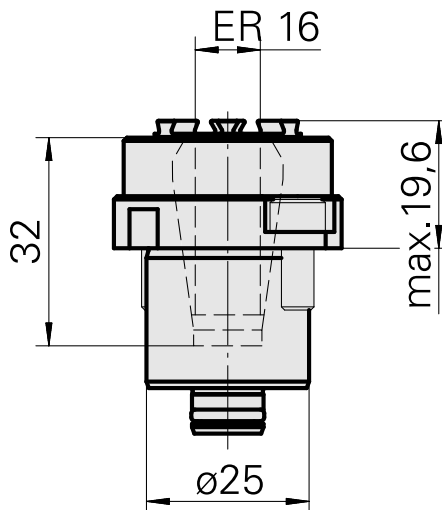


## Mount Shank 25 ER16

### Technical data

Shank KPS	Shank 25
Drive	not live
Cooling	internal
Mounting	ER16
Pressure	80 bar, internal 120 bar opt.
X [mm]	-
Y [mm]	-
Z [mm]	19,6 (0,77")
INDEX TRAUB products	TNL20 • TNL32-11 compact • TNL20-11 • TNL32 compact • TNK40.2-10 • TNL20.2 • TNK40.2



---

## Documents

No downloads available for this product

## Accessories

Required for operation

### [Spanner](#)

Product ID : 11006246

Previous product ID : 490219.3161

TH accessories category Tool	Mounting ER16	Collet type ER 16	Clamping nut type Male thread
Tools for Collet chucks Clamping nut wrench			

### Optional accessories

#### Tool holder accessories

### [Clamping nut](#)

Product ID : 10911008

Previous product ID : 901939.5161

TH accessories category Clamping nut	Mounting ER16	Collet type ER 16	Clamping nut type Male thread
---	------------------	----------------------	----------------------------------

#### Other accessories

### [Clamping collet](#)

Product ID : 10834596

Previous product ID : 901930.1---

---

### [Clamping collet](#)

Product ID : 10589709

Previous product ID : W99903--

---

---

[Pince de taraudage ET-1-16](#)

Product ID : 10542491  
Previous product ID : 3230--

---

[Pince de taraudage](#)

Product ID : 10865233  
Previous product ID : WZ9990.9506F

---

[Collet chuck](#)

Product ID : 10870393  
Previous product ID : W999065-

---

[Clamping collet, sealed](#)

Product ID : 10433061  
Previous product ID : W999083-

---