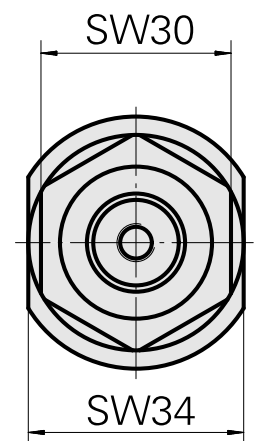
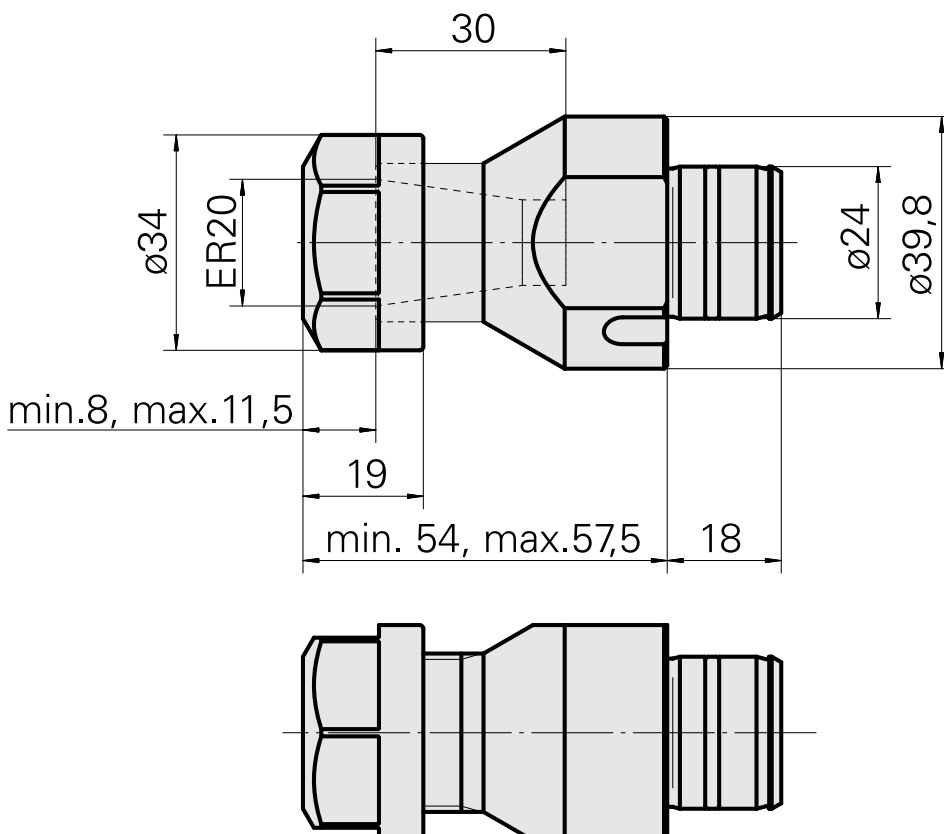
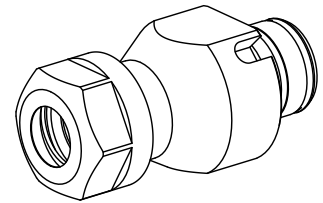


## Mount ER20

### Technical data

|                             |  |
|-----------------------------|--|
| <b>Drive</b>                | not live   |
| <b>Cooling</b>              | internal   |
| <b>Mounting</b>             | ER20   |
| <b>Pressure</b>             | 80 bar   |
| <b>X [mm]</b>               | 54 (2.13")   |
| <b>Y [mm]</b>               | -  |
| <b>Z [mm]</b>               | -  |
| <b>INDEX TRAUB products</b> | ABC65 • TNK42/65 • TNL18 •<br>TNL20 • TNL32-11 • TNL32 •<br>TNL32-11 compact • TNL20-11<br>• TNL32 compact • TNK40.2-10 •<br>TNL20.2 • TNK40.2 |



---

## Documents

No downloads available for this product

## Accessories

Required for operation

### [Spanner](#)

Product ID : 10603529

Previous product ID : 490219.0201

|  |                  |                      |                                    |
|--|------------------|----------------------|------------------------------------|
| TH accessories category<br>Tool                | Mounting<br>ER20 | Collet type<br>ER 20 | Clamping nut type<br>Female thread |
| Tools for Collet chucks<br>Clamping nut wrench |                  |                      |                                    |

### Optional accessories

#### Tool holder accessories

### [Clamping nut](#)

Product ID : 10137535

Previous product ID : 901939.0201

|   |                  |                      |                                    |
|---|------------------|----------------------|------------------------------------|
| TH accessories category<br>Clamping nut | Mounting<br>ER20 | Collet type<br>ER 20 | Clamping nut type<br>Female thread |
|---|------------------|----------------------|------------------------------------|

#### Other accessories

### [Clamping collet](#)

Product ID : 10863981

Previous product ID : 901930.2---

---

### [tapping tool collet ET-1-20](#)

Product ID : 10418139

Previous product ID : 3234--

---

11056269  
W9990541

**INDEX**

---

Collet chuck

Product ID : 10135002  
Previous product ID : W999066-

---

Clamping collet, sealed

Product ID : 10919110  
Previous product ID : W999084-

---