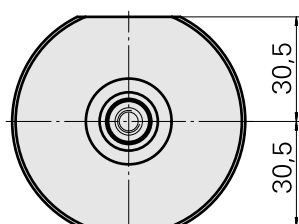
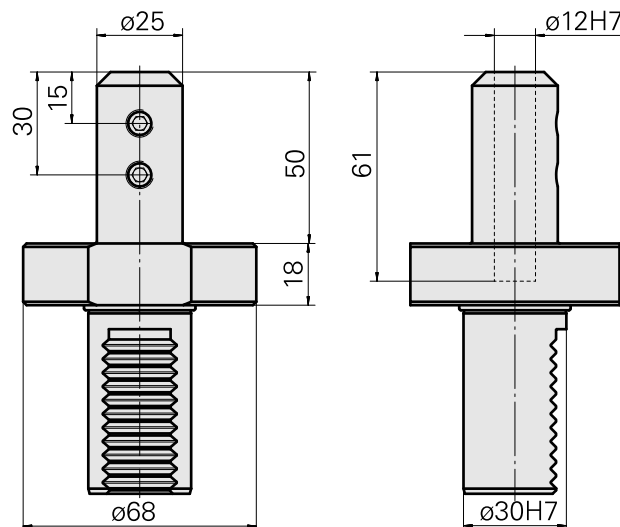
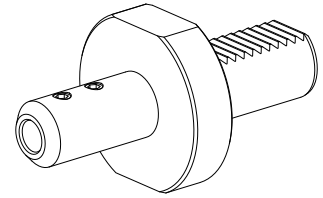


Drilling tool holder VDI 30 D12, Specially for the marking tool WriteStar

Technical data

Shank VDI	VDI 30
Drive	not live
Fixation VDI	none
Mounting	D12
reversible 180°	no
Data carrier	check tool station bore
X [mm]	68 (2.68")
Y [mm]	-
Z [mm]	-
INDEX TRAUB products	



C42/65 • G160 • G300 • G400
• TNX80 • V100 • V200 • ABC •
C100 • C200 • G200 • G200.2 •
G220 • G250 • R300 • TNX65/42
• V160C • V160G • V300 • B400
• B500 • TNA500.2 • TNA400.2 •
ABC.2 • G300.2 • G320.2 • G220.3
• TNX220.3 • TNX200.3 • G200.3
• G320.3 compact • B400.3 •
TNA400.3 • B500.3 • TNA500.3

Documents

No downloads available for this product

Accessories

Optional accessories

Tool holder accessories

[Marking tool, Tip angle/radius 90°/R0.5mm](#)

Product ID : 10448780

Previous product ID : W9990300

TH accessories
category
Marking tool

Tool mounting
12mm