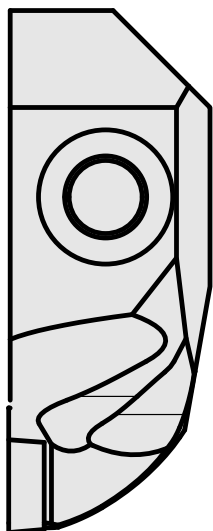
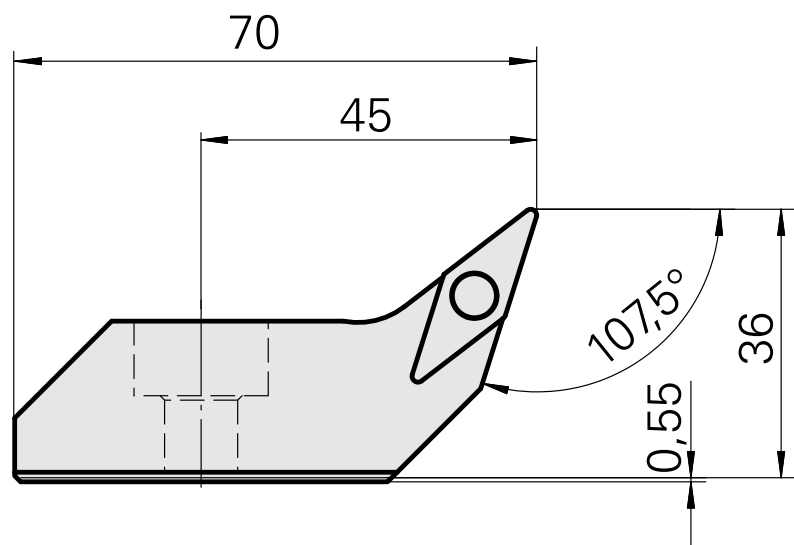
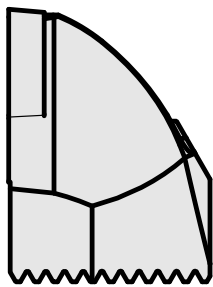
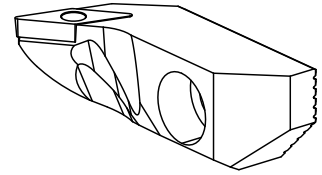


## Boring head for VB.. 1604..

### Technical data

<b>Mounting</b>	for VB.. 1604..
<b>Cooling</b>	internal
<b>Pressure</b>	50 bar
<b>X [mm]</b>	36 (1.42")
<b>Z [mm]</b>	45 (1.77)
<b>INDEX TRAUB products</b>	G420 • G520 • G320.2 • G220.3 • TNX220.3



## **Documents**

No downloads available for this product