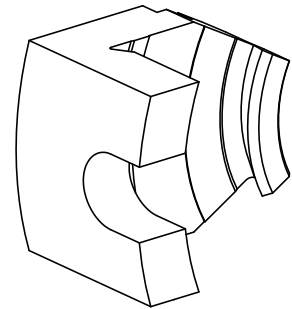


Basic holder Circular prism Fette T12

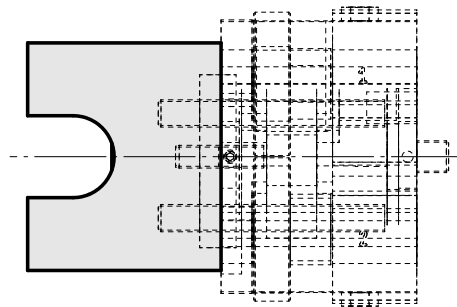
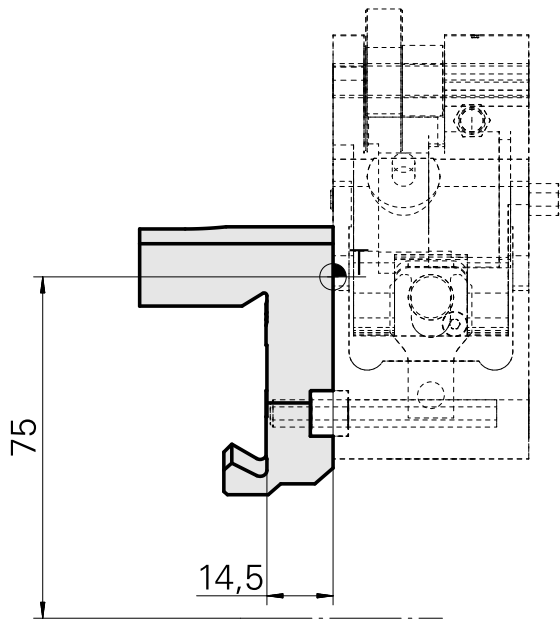
Technical data

Shank TNL	Circular prism
Drive	not live
Fixation TNL	Central tensioning screw
Mounting	Fette T12
reversible 180°	no
X [mm]	–
Y [mm]	–
Z [mm]	–
INDEX TRAUB products	TNL12 • TNL12.2



Note

Specially for rolling heads!



10972342
989162

INDEX

Documents

No downloads available for this product