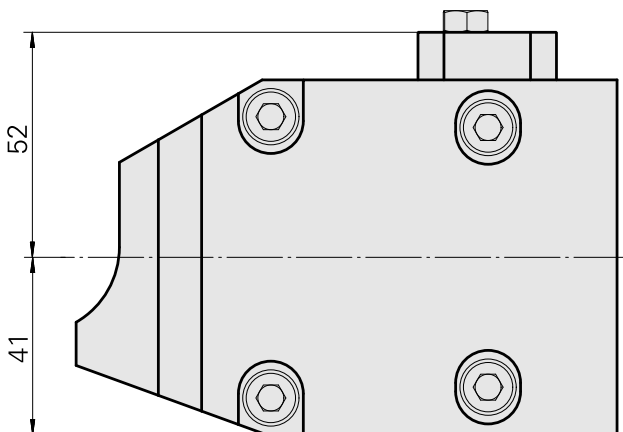
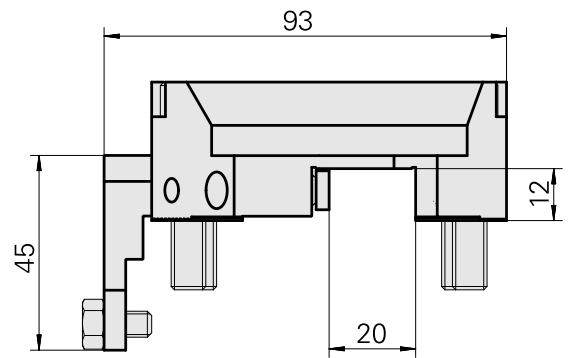
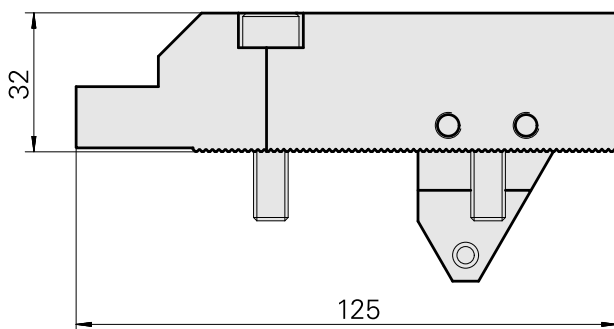
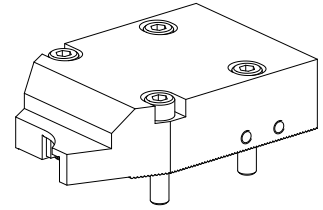


Grooving tool holding block Sqare 20x12

Technical data

| | |
|-----------------------------|------------------|
| Drive | not live |
| Direction | left-handed run |
| Mounting | Sqare 20x12 |
| X [mm] | 125 (4.92") |
| Y [mm] | - |
| Z [mm] | 32 (1.26) |
| INDEX TRAUB products | MS52C • MS52-6.3 |



Documents

No downloads available for this product