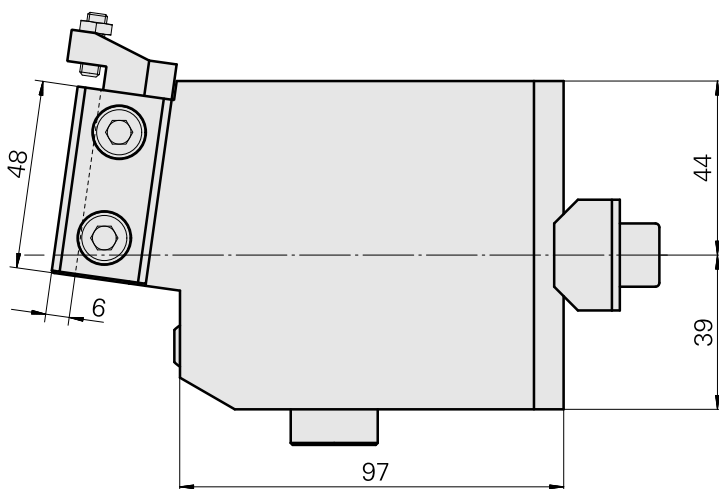
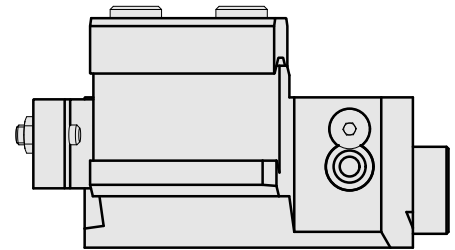
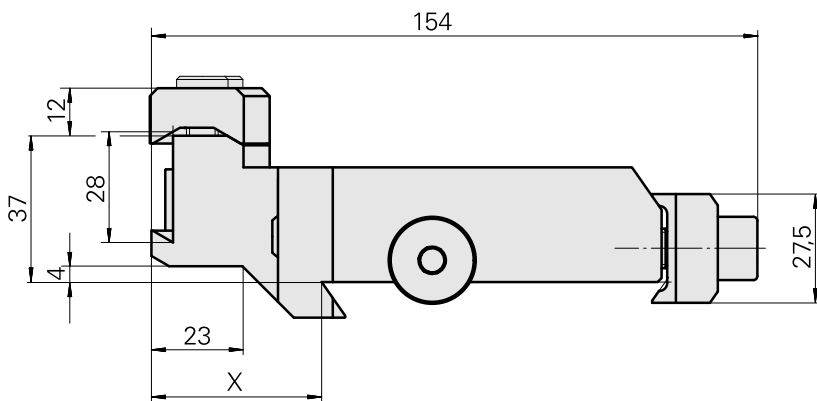
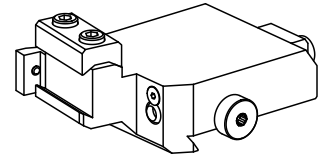


Grooving tool holder MS32/MS40 Forming t

Technical data

| | |
|-----------------------------|--------------------------------------|
| Slide system MS | MS32/MS40 |
| Drive | not live |
| Fixation MS | Dovetail |
| Cooling | external |
| Pressure | 40 bar |
| Direction | right-handed run |
| Mounting | Forming tool AWN 28 |
| X [mm] | 43 (1.69") |
| Y [mm] | – |
| Z [mm] | 29 (1.14) |
| INDEX TRAUB products | MS32C • MS32-6.2 • MS40-6 • MS32-6.3 |



| | |
|---|----|
| X | 43 |
|---|----|

Documents

No downloads available for this product

Accessories

Optional accessories

Other accessories

[Tube Kugel 12 D](#)

Product ID : 10481964

Previous product ID : W63490.0022

[Countersunk screw 8.8 Torx M 5x12 14581 M 5x12/T25 verzinkt 402315 12](#)

Product ID : 10607371

Previous product ID : 410362.0512
