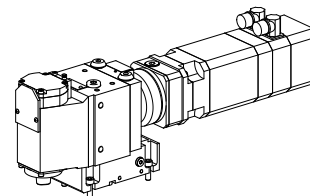


Polygon turning unit MS52 5:1 INDEX CAPT

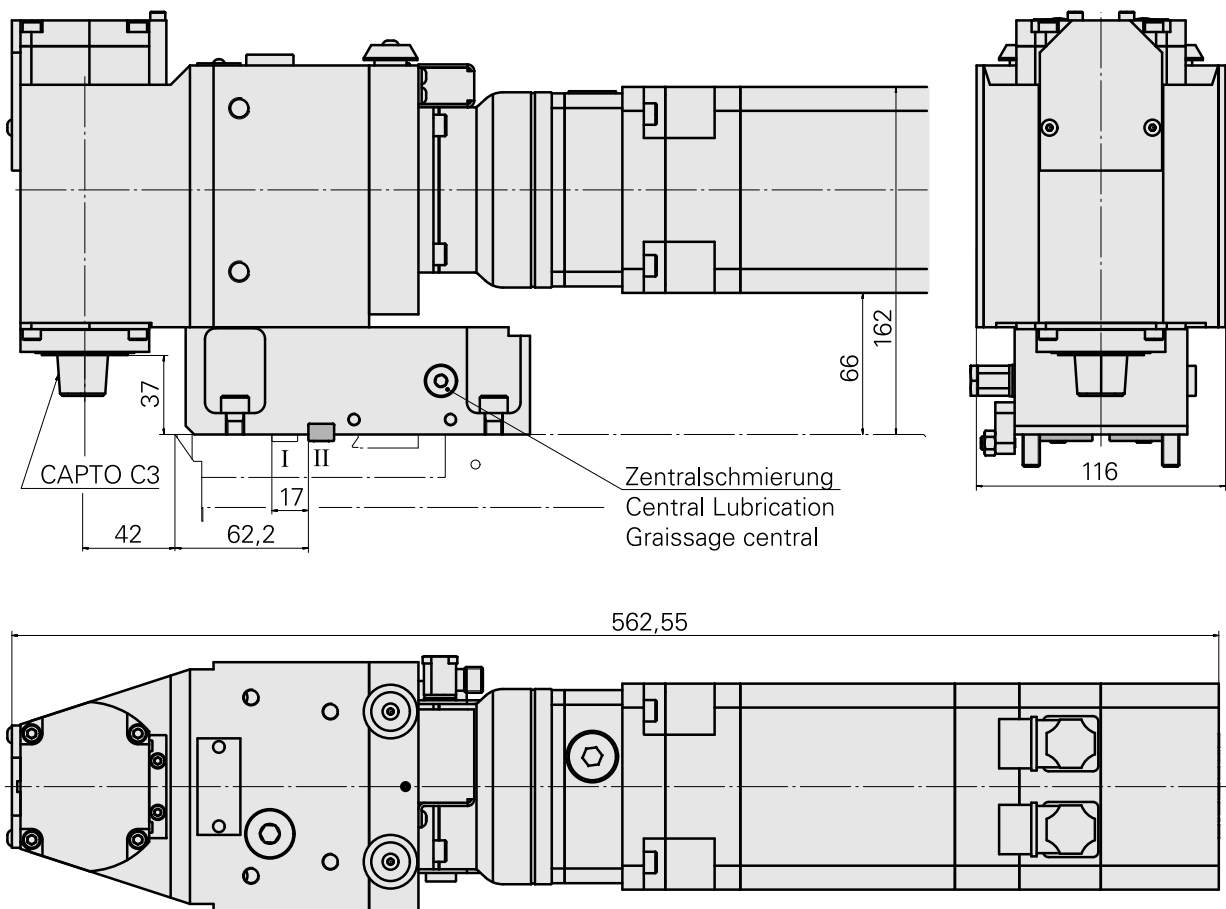
Technical data

Slide system MS	MS52
Drive	Direct drive
Fixation MS	Splined key/pin
Speed ratio	5:1
Mounting	INDEX CAPTO C3
X [mm]	42 (1.65")
Y [mm]	–
Z [mm]	37 (1.46)
INDEX TRAUB products	MS52C • MS52-6.3



Note

Can only be used on the cross slide! The unit must be connected to a central lubrication system! The machine must have a preparation for polygon turning! The unit may only be used in combination with any of the specified motors and the corresponding UNIT!
Motor (AC), 3 Nm – 10973215 (Siemens 1FT6044-4AK71-4AG1) included.
UNIT 151



Documents

No downloads available for this product

Accessories

Required for operation

[Cable kit, 5m im Arbeitsraum](#)

Product ID : 10912003

Previous product ID : GM5702.9055

[Cable](#)

Product ID : 10147468

Previous product ID : 489904.2531

Electrical assemblies Electr. assembly lines	Length 5000 Millimeter	Cross-section 0.25 Square millimeter	Number of wires/poles (ST) 3 Piece
Current 4 Ampere	Voltage 24 Volt • 30 Volt	Voltage type DC=	Plug connection/type M8 • M12
YE - yellow	Protection class IP67	Shield no - unshielded	Insulating material PUR

[Assembly parts](#)

Product ID : 10963201

Previous product ID : W00031.0005

Optional accessories

Other accessories

Adaptor

Product ID : 10910688
Previous product ID : W9991073

TH accessories category Adapters INDEX CAPTO C3	Mounting Milling shaft D32
--	-------------------------------

Base element

Product ID : 10269925
Previous product ID : 223800.2301

TH accessories category Base body, 3-fluted	Mounting Milling shaft D27
---	-------------------------------

Cassette

Product ID : 10305934
Previous product ID : W9990295

TH accessories category Cassette, left	Mounting for DC.. 11T3..
--	-----------------------------

Cassette

Product ID : 10654226
Previous product ID : W9990294

TH accessories category Cassette, right	Mounting for DC.. 11T3..
---	-----------------------------