

Adaptor

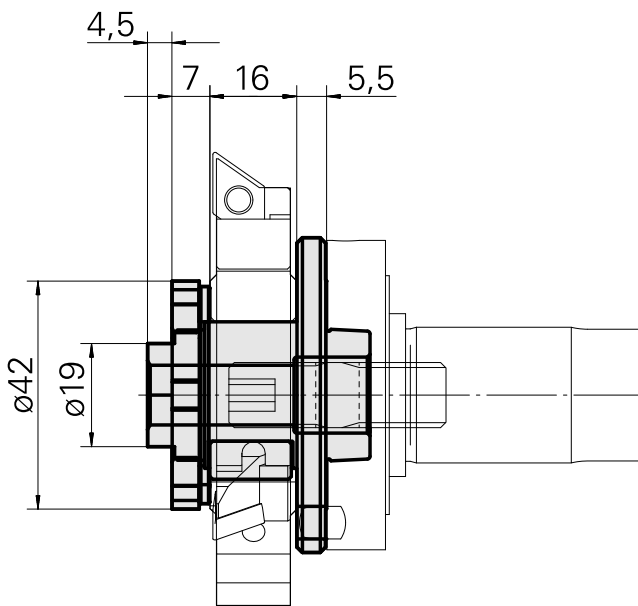
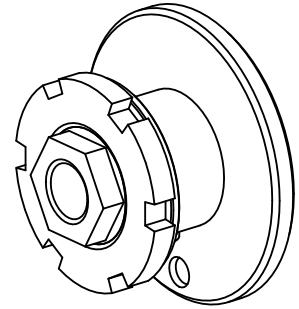
Technical data

TH accessories category

Adapter KK-32

Mounting

Milling shaft D27



Documents

Aucun téléchargement n'est disponible pour ce produit

Accessories

Accessoires optionnels

Other accessories

[Base element](#)

Product ID : 10269925

Previous product ID : 223800.2301

TH accessories
category
Base body, 3-fluted

Mounting
Milling shaft D27