

Ring, width 5 mm (0.19")

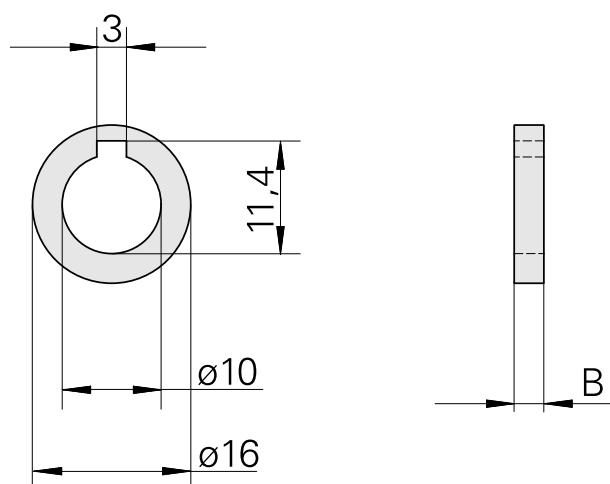
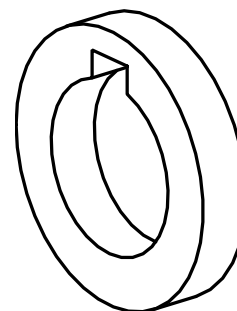
Technical data

TH accessories category

Mill arbor ring

Mounting

Milling shaft D10



10828799
981163

INDEX

Documents

No downloads available for this product