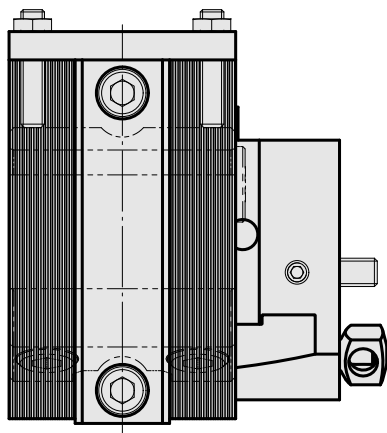
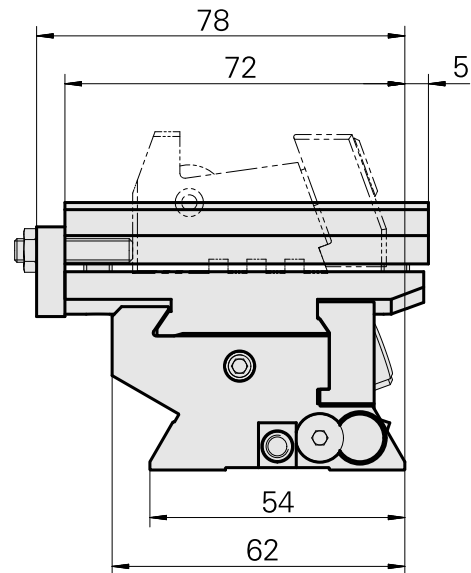
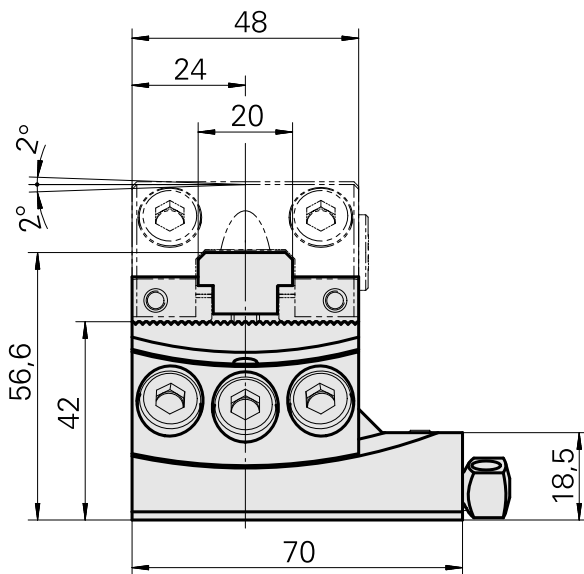
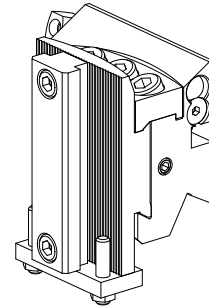


## Basic holder Dovetail (ABC), $\pm 2^\circ$

### Technical data

|                      |                |
|----------------------|----------------|
| Shank VDI            | Dovetail (ABC) |
| Drive                | not live       |
| Fixation VDI         | none           |
| Pressure             | 20 bar         |
| reversible 180°      | no             |
| X [mm]               | 42 (1.65")     |
| Y [mm]               | -              |
| Z [mm]               | 0 ()           |
| INDEX TRAUB products | ABC • ABC.2    |



## Documents

No downloads available for this product

## Accessories

### Optional accessories

#### Tool holders with VDI shank

##### [Grooving tool holding block, vertically adjustable](#)

Product ID : 10607061

Previous product ID : W9990055

|                   |                     |   |                      |
|-------------------|---------------------|---|----------------------|
| Drive<br>not live | Cooling<br>external | Pressure<br>20 bar  | X [mm]<br>30 (1.18") |
| Y [mm]<br>-       | Z [mm]<br>-         | INDEX TRAUB products<br>A100 • C42/65 • G160<br>• ABC • C100 • C200 •<br>G200 • G200.2 • G220 •<br>G250 • ABC.2 |                      |

##### [Grooving tool holding block, vertically adjustable](#)

Product ID : 10463581

Previous product ID : W9990065

|                   |                     |   |                      |
|-------------------|---------------------|---|----------------------|
| Drive<br>not live | Cooling<br>external | Pressure<br>20 bar  | X [mm]<br>38 (1.50") |
| Y [mm]<br>-       | Z [mm]<br>-         | INDEX TRAUB products<br>A100 • C42/65 • G160<br>• ABC • C100 • C200 •<br>G200 • G200.2 • G220 •<br>G250 • ABC.2 |                      |

#### Other accessories

##### [BALL 10 G10 N](#)

Product ID : 10147017

Previous product ID : 420800.1000

10792715  
W8900007

**INDEX**

---

Tube

Product ID : 10694891

Previous product ID : W61012.0110

---