

## Adaptor SK50/VDI30

### Technical data

TH accessories category

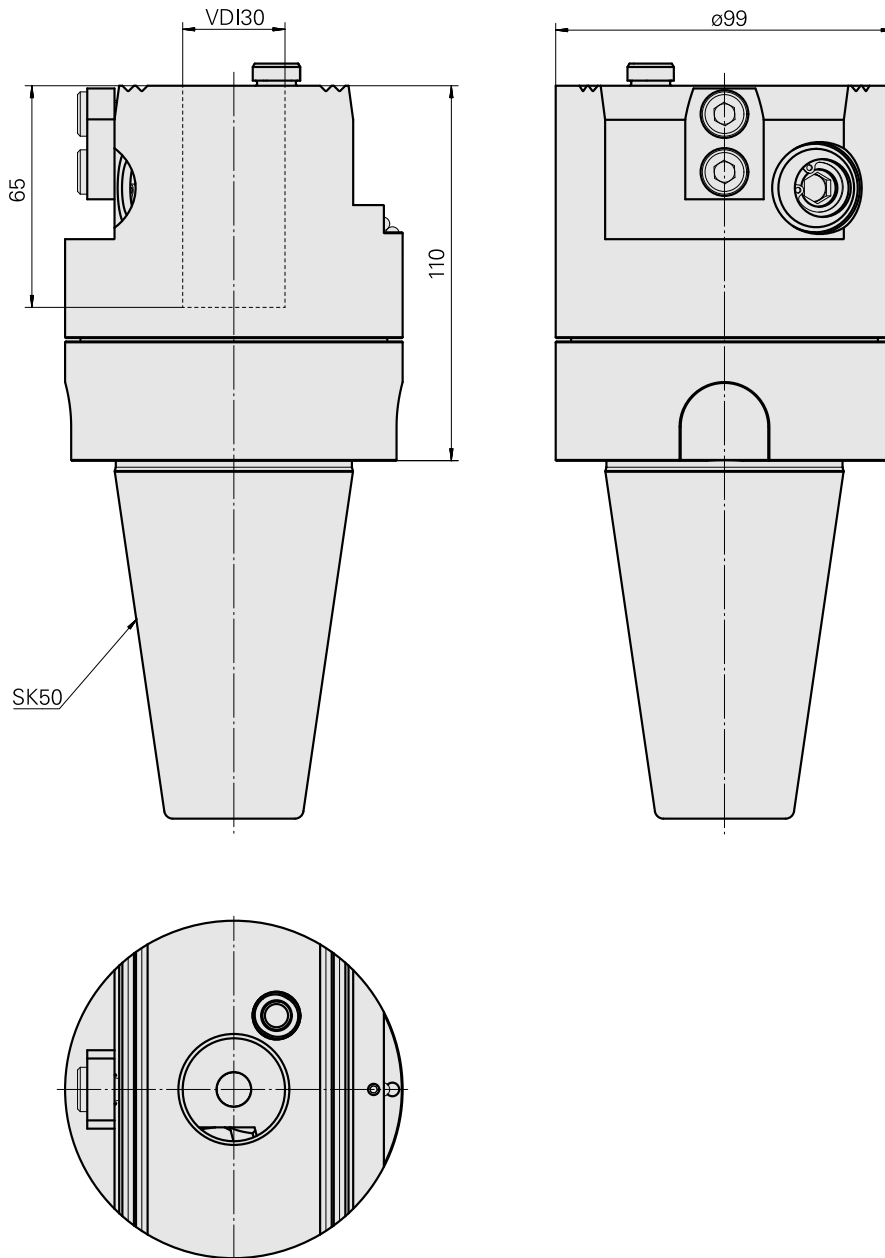
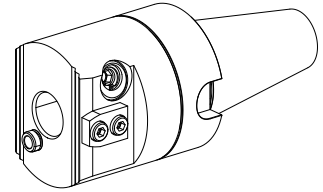
Adapter for presetting units

Mounting

SK50

Tool mounting

VDI 30



## **Documents**

No downloads available for this product