

## WFB 32-20 D16

### Technical data

TH accessories category

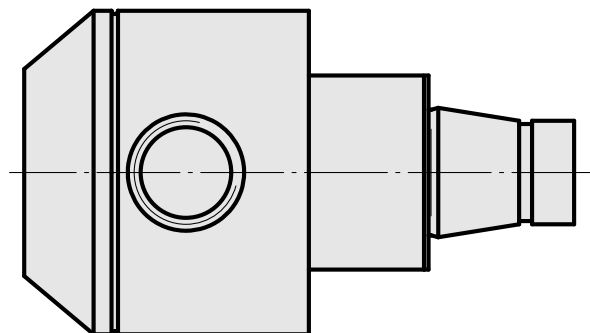
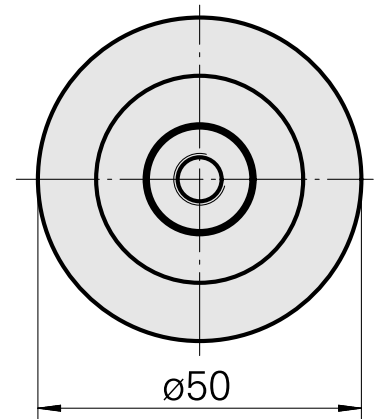
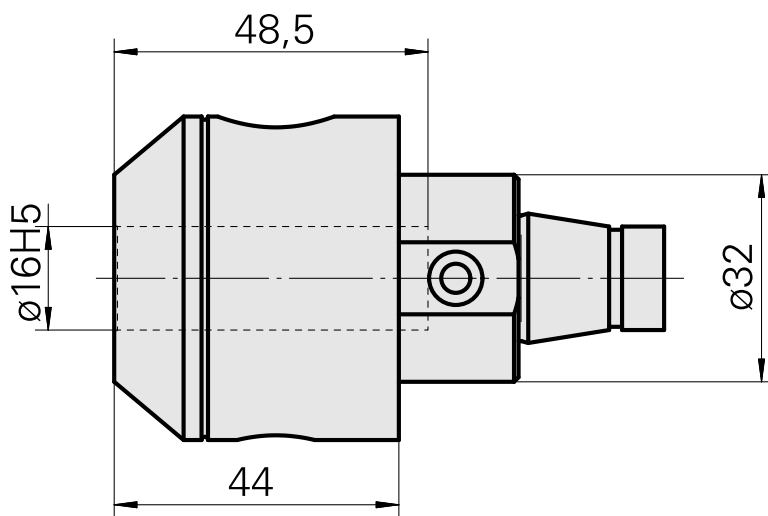
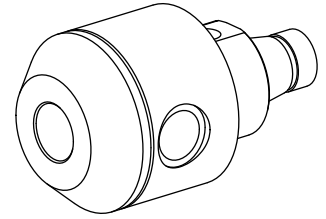
WFB 32-20

Mounting

D16

Quick change inserts

Weldon mounting



## **Documents**

No downloads available for this product

## **Accessories**

Optional accessories

### **Other accessories**

[Mounting sleeve with collar D16](#)

Product ID : 10914323

Previous product ID : W67511.04--

---