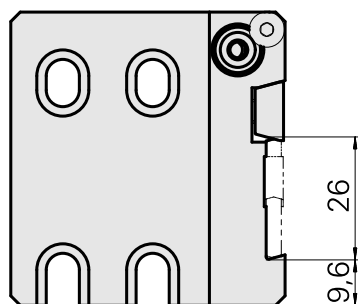
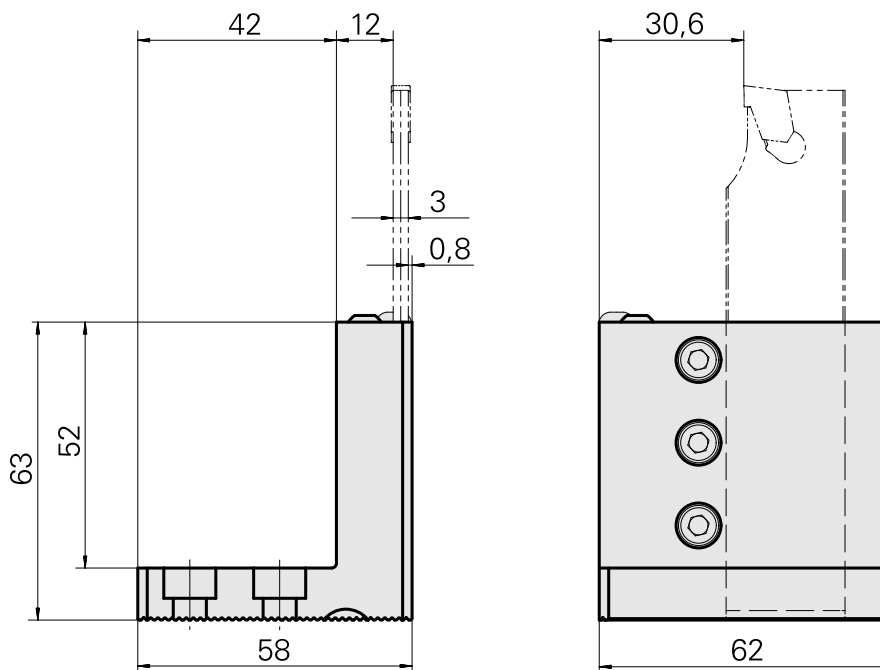
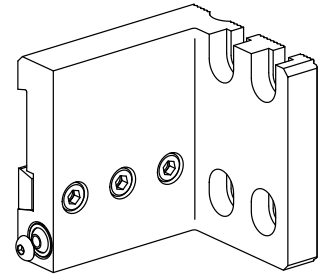


Grooving tool holding block Trapezoid 26, vertically adjustable

Technical data

Drive	not live
Cooling	external
Pressure	20 bar
Mounting	Trapezoid 26x4
reversible 180°	no
X [mm]	63 (2.48")
Y [mm]	±1.5 (±0.06)
Z [mm]	58 (2.28)
INDEX TRAUB products	C42/65 • G160 • ABC • C100 • C200 • G200 • G200.2 • G220 • ABC.2



Documents

No downloads available for this product

Accessories

Optional accessories

Other accessories

[BALL SPRAY NOZZLE 10D/M4](#)

Product ID : 10679818

Previous product ID : 474550.0081

[lens head screw](#)

Product ID : 10878277

Previous product ID : 410243.0408
