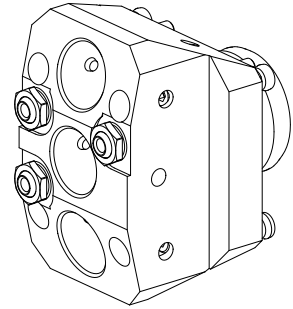


## Basic holder KPS 45 D24 (0.94 "), triple

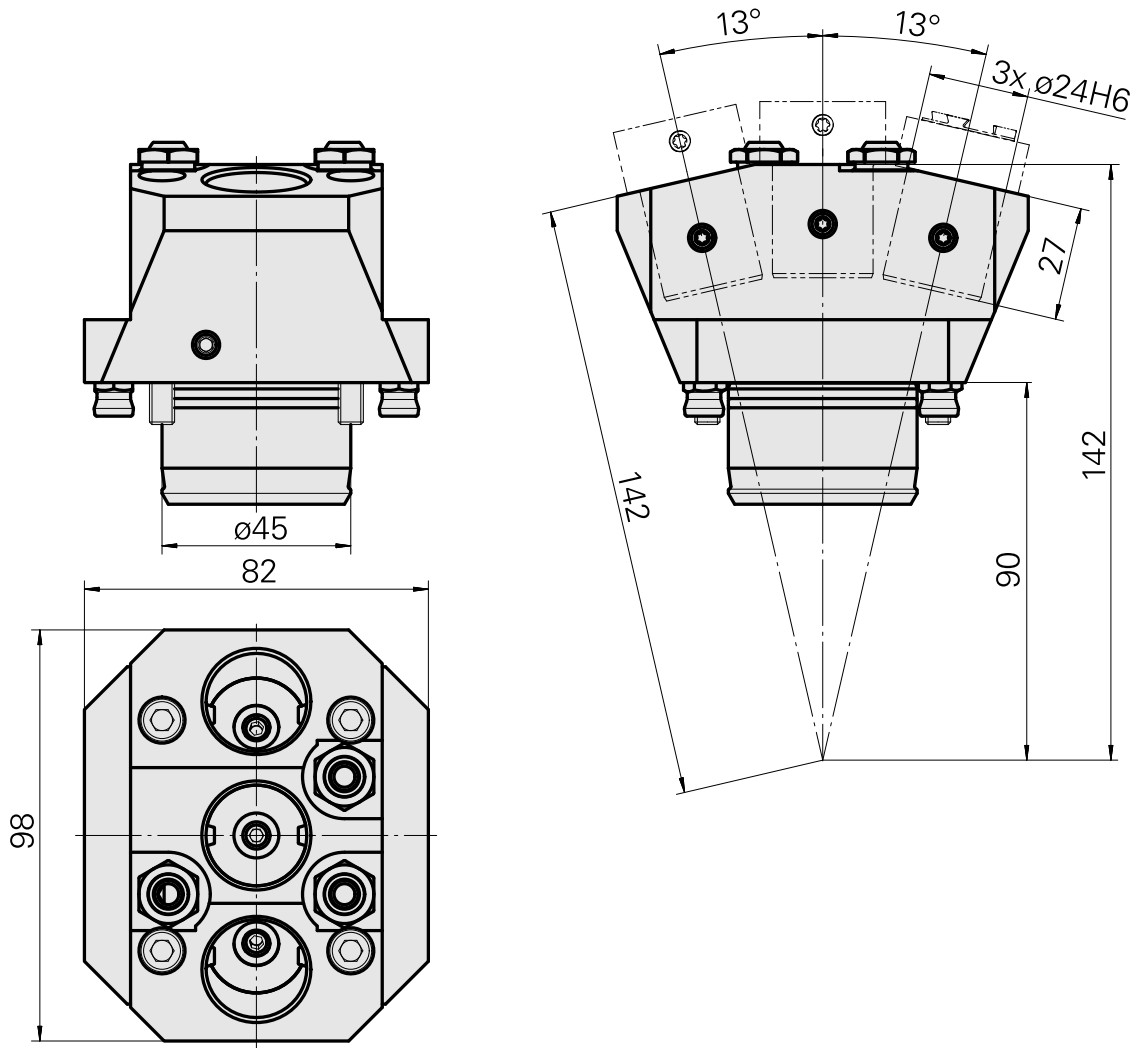
### Technical data

<b>Shank KPS</b>	KPS 45
<b>Drive</b>	not live
<b>Cooling</b>	external and internal
<b>Mounting</b>	D24
<b>Pressure</b>	80 bar
<b>X [mm]</b>	52 (2.05")
<b>Y [mm]</b>	±13°
<b>Z [mm]</b>	0 ()
<b>INDEX TRAUB products</b>	TNL18



### Note

Specially for TRAUB TNL machines having a turret with a B axis!



## Documents

No downloads available for this product

## Accessories

Required for operation

### [Coolant tube, L=100 mm \(3.93"\)](#)

Product ID : 10346684

Previous product ID : W9990559

TH accessories category	Mounting M6
Cooling lubricant tube	

## Optional accessories

### Tool holders with compact shank

#### [Mount ER16](#)

Product ID : 10095257

Previous product ID : W9990703

Drive not live	Cooling internal	Mounting ER16	Pressure 80 bar
X [mm] 12 (0.47")	Y [mm] -	Z [mm] -	INDEX TRAUB products TNL18 • TNL20 • TNL32-11 compact • TNL20-11 • TNL32 compact • TNK40.2-10 • TNL20.2 • TNK40.2

---

### Mount WFB 20-12

Product ID : 10271745

Previous product ID : W9990704

Drive not live	Cooling internal	Mounting WFB 20-12	Pressure 80 bar
X [mm] 15 (0.59")	Y [mm] –	Z [mm] –	INDEX TRAUB products TNL18 • TNL20 • TNL32-11 compact • TNL20-11 • TNL32 compact • TNK40.2-10 • TNL20.2 • TNK40.2

### **Other accessories**

#### Coolant Nozzle

Product ID : 11031912

Previous product ID : W67500.3208

---

#### HOLLOW SCREW M14x1 M14x1

Product ID : 10105238

Previous product ID : W67530.0818

---

#### BUSHING 10 D x 6 D x 12,5

Product ID : 10670360

Previous product ID : W67530.0824

---

#### Nozzle M6 mit D1,6

Product ID : 10147428

Previous product ID : W00019.0216

---