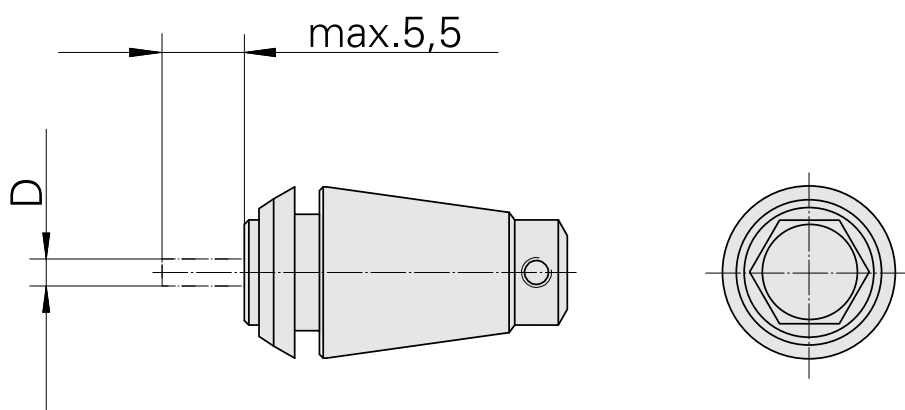
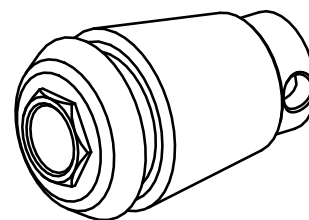


ER-Collet chuck for taps ET 1-12 2.2mm

Technical data

| | |
|-------------------------|--------------------------|
| TH accessories category | ER-Collet chuck for taps |
| Mounting | ER11 |
| Tool mounting | 2.2mm |
| Collet type | ET 1-12 |



10430739
323962

INDEX

Documents

No downloads available for this product