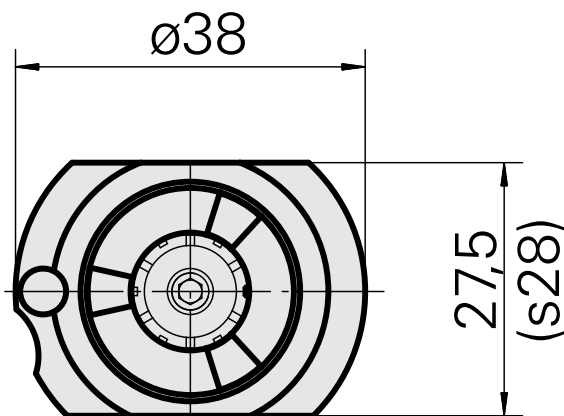
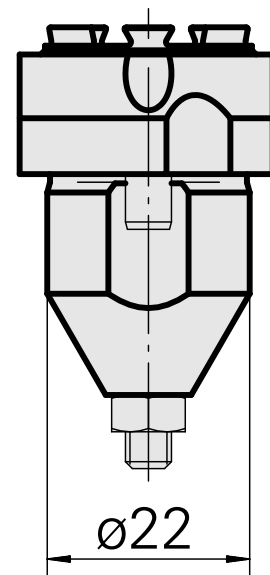
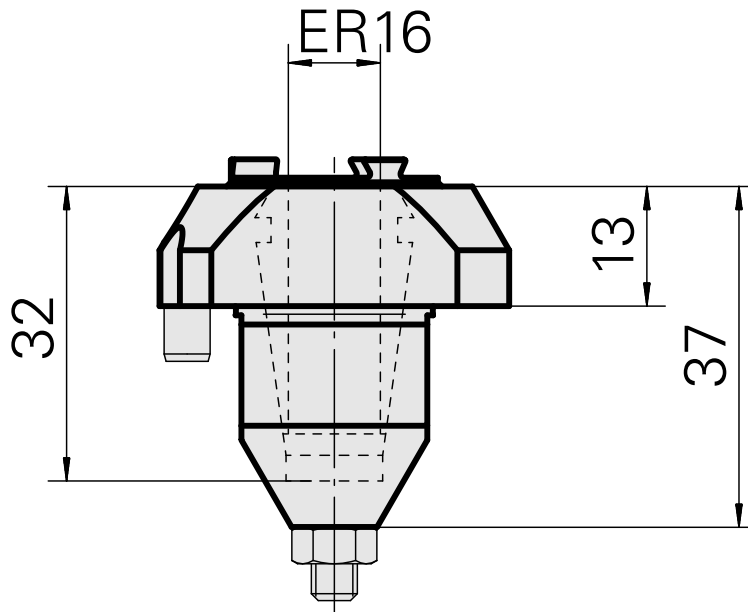
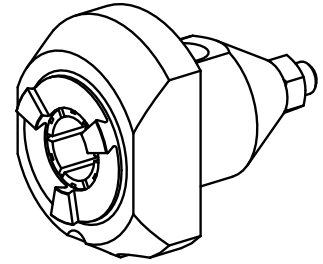


Drill holding block ER16

Technical data

Drive	not live
Fixation MS	Shank D22
Mounting	ER16
X [mm]	13 (0.51")
Y [mm]	-
Z [mm]	-
INDEX TRAUB products	MS22-6 • MS22-8 • MS32-6.2 • MS40-6 • MS32C • MS32-6.3 • MS24-6



Documents

No downloads available for this product

Accessories

Required for operation

[Spanner](#)

Product ID : 11006246

Previous product ID : 490219.3161

TH accessories category Tool	Mounting ER16	Collet type ER 16	Clamping nut type Male thread
Tools for Collet chucks Clamping nut wrench			

Optional accessories

Tool holder accessories

[ER-shrink collet ER 16 3mm](#)

Product ID : 10424012

Previous product ID : W9990664

TH accessories category ER-shrink collet	Mounting ER16	Tool mounting 3mm	Collet type ER 16
---	------------------	----------------------	----------------------

[ER-shrink collet ER 16 4mm](#)

Product ID : 10661742

Previous product ID : W9990665

TH accessories category ER-shrink collet	Mounting ER16	Tool mounting 4mm	Collet type ER 16
---	------------------	----------------------	----------------------

[ER-shrink collet ER 16 5mm](#)

Product ID : 10693226

Previous product ID : W9990666

TH accessories category ER-shrink collet	Mounting ER16	Tool mounting 5mm	Collet type ER 16
---	------------------	----------------------	----------------------

[ER-shrink collet ER 16 6mm](#)

Product ID : 10276746

Previous product ID : W9990667

TH accessories category ER-shrink collet	Mounting ER16	Tool mounting 6mm	Collet type ER 16
---	------------------	----------------------	----------------------

[ER-shrink collet ER 16 8mm](#)

Product ID : 10813386

Previous product ID : W9990668

TH accessories category ER-shrink collet	Mounting ER16	Tool mounting 8mm	Collet type ER 16
---	------------------	----------------------	----------------------

[ER-shrink collet ER 16 10mm](#)

Product ID : 10954184

Previous product ID : W9990669

TH accessories category ER-shrink collet	Mounting ER16	Tool mounting 10mm	Collet type ER 16
---	------------------	-----------------------	----------------------

[Clamping nut](#)

Product ID : 10911008

Previous product ID : 901939.5161

TH accessories category Clamping nut	Mounting ER16	Collet type ER 16	Clamping nut type Male thread
---	------------------	----------------------	----------------------------------

Other accessories

10417636
W9990079

INDEX

[Clamping collet](#)

Product ID : 10834596
Previous product ID : 901930.1---

[Clamping collet](#)

Product ID : 10589709
Previous product ID : W99903--

[tapping tool collet ET-1-16](#)

Product ID : 10542491
Previous product ID : 3230--

[tapping tool collet](#)

Product ID : 10865233
Previous product ID : WZ9990.9506F
