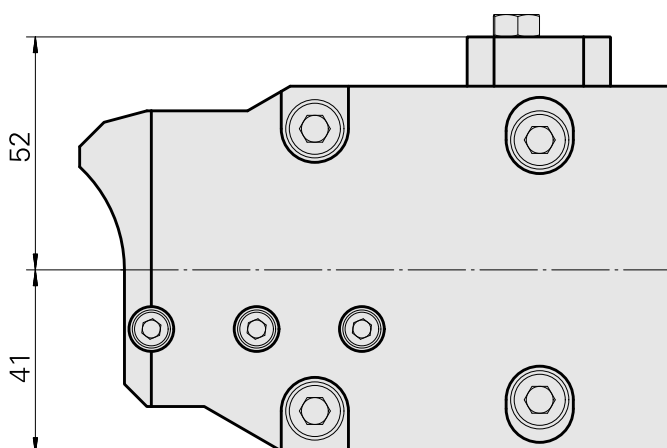
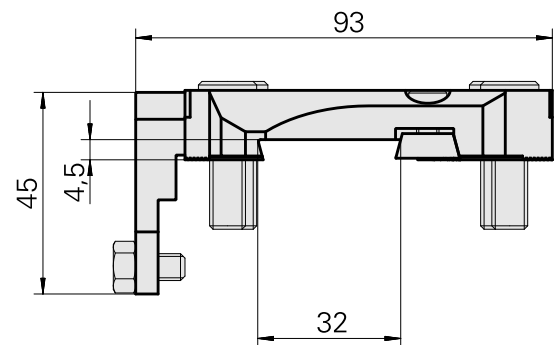
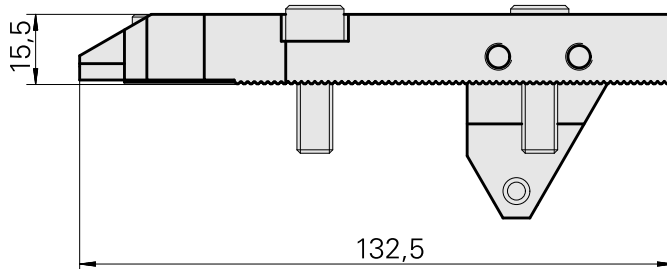
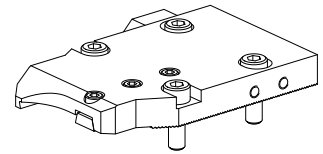


## Grooving tool holding block Trapezoid 32

### Technical data

<b>Drive</b>	not live
<b>Direction</b>	right-handed run
<b>Mounting</b>	Trapezoid 32x4
<b>X [mm]</b>	132.5 (5.22")
<b>Y [mm]</b>	–
<b>Z [mm]</b>	15.5 (0.61)
<b>INDEX TRAUB products</b>	MS52C • MS52-6.3



## **Documents**

No downloads available for this product