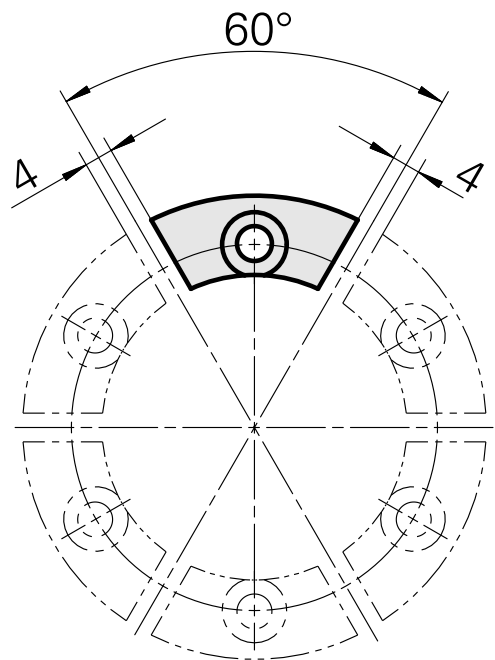
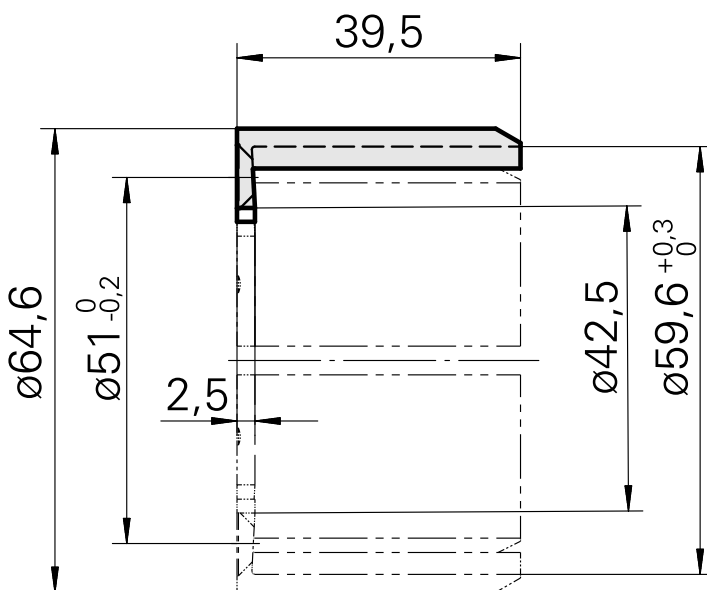
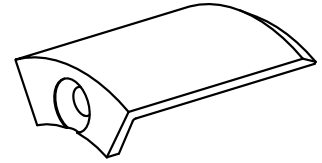


Cover plate Circular prism

Technical data

| | |
|----------------------|--------------------------|
| Shank TNL | Circular prism |
| Drive | not live |
| Fixation TNL | Central tensioning screw |
| INDEX TRAUB products | TNL12 • TNL12.2 |



10297555
950551

INDEX

Documents

No downloads available for this product