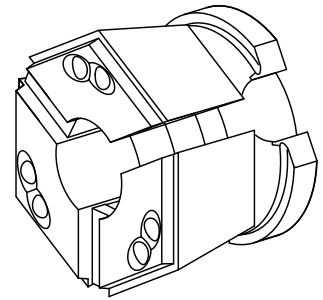


## Clamping head Top40 D=21,00mm

### Technical data

|                                  |                   |
|----------------------------------|-------------------|
| <b>Clamping device size</b>      | SK40              |
| <b>manufacturer product line</b> | TOPlus chuck      |
| <b>Clamping type</b>             | smooth            |
| <b>Nominal diameter (mm)</b>     | 21 Millimeter     |
| <b>Clamping method</b>           | External clamping |
| <b>manufacturer product line</b> | Hainbuch          |



No 3-side view is currently available for this product

## **Documents**

No downloads available for this product