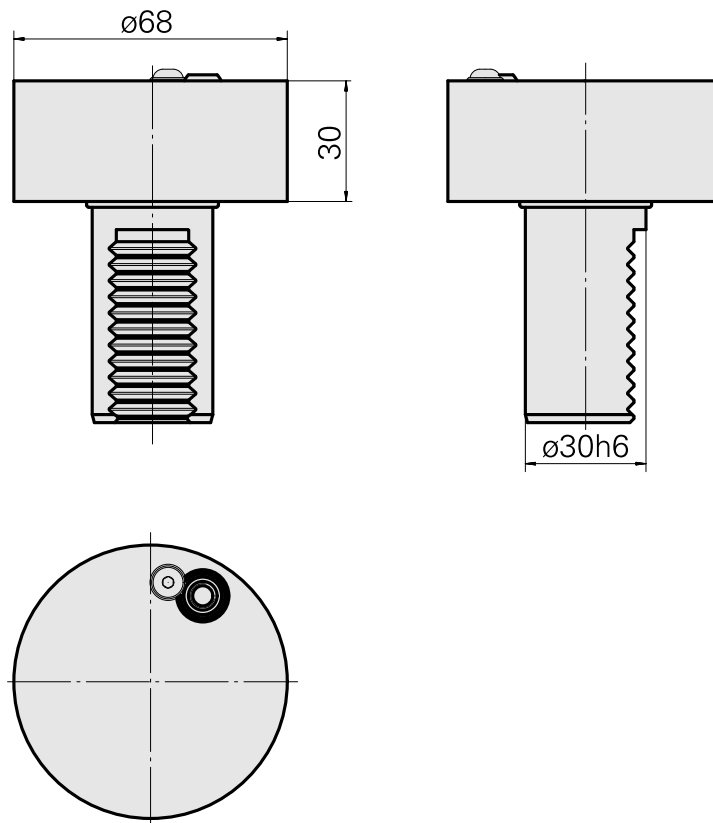
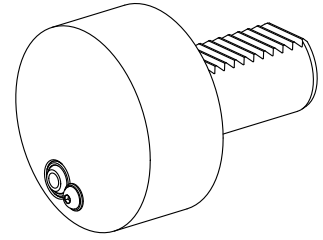


## Flush holder VDI 30

### Technical data

<b>Shank VDI</b>	VDI 30
<b>Drive</b>	not live
<b>Fixation VDI</b>	none
<b>Cooling</b>	external
<b>Pressure</b>	20 bar
<b>reversible 180°</b>	no
<b>Data carrier</b>	check tool station bore
<b>X [mm]</b>	30 (1.18")
<b>Y [mm]</b>	–
<b>Z [mm]</b>	–
<b>INDEX TRAUB products</b>	G160 • G300 • V100 • V200 • A200-6 • B400 • C200 • G220 • G250 • R300 • TNX65/42 • V160C • V160G • V300 • TNA300 • TNA400.2 • G300.2 • G320.2 • G220.3 • TNX220.3 • TNX200.3 • G200.3 • G320.3 compact • B400.3 • TNA400.3



## **Documents**

No downloads available for this product