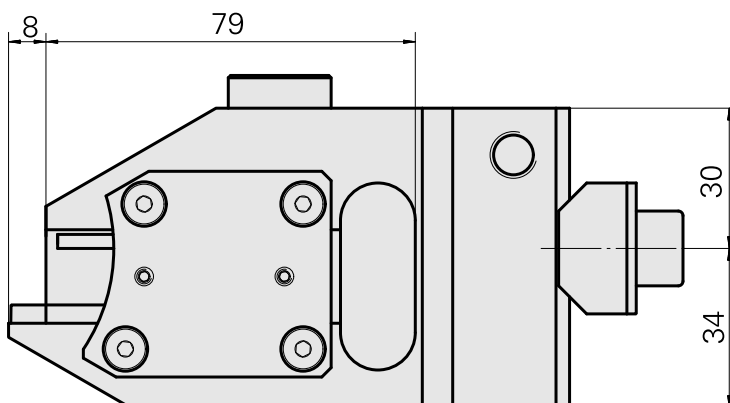
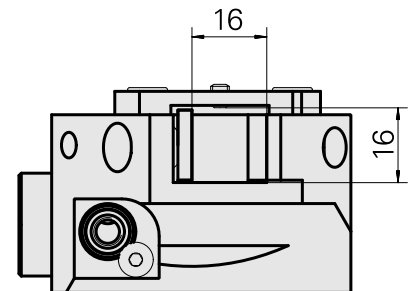
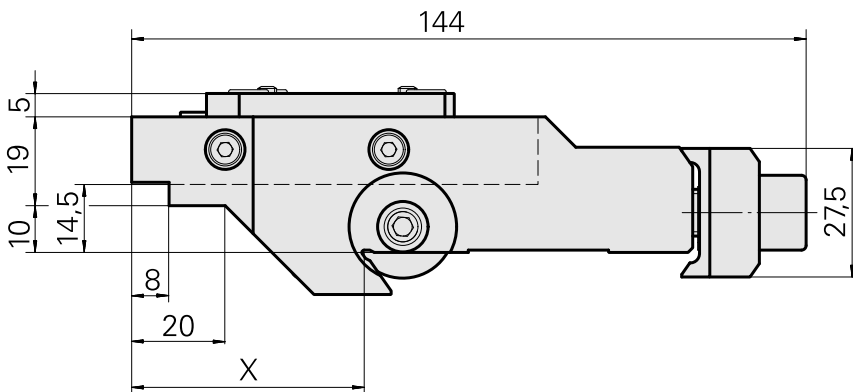


## Turning tool holder MS16/MS22 Square 16x

### Technical data

<b>Slide system MS</b>	MS16/MS22
<b>Drive</b>	not live
<b>Fixation MS</b>	Dovetail
<b>Cooling</b>	external
<b>Pressure</b>	20 bar
<b>Direction</b>	left-handed run
<b>Mounting</b>	Square 16x16
<b>X [mm]</b>	49.7 (1.96")
<b>Y [mm]</b>	–
<b>Z [mm]</b>	14.5 (0.57)
<b>INDEX TRAUB products</b>	A100 • MS16-6 • MS22-6 • MS22-8 • MS24-6 • MS24-8 • MS16-6 Plus



X	49,7
---	------

---

## Documents

No downloads available for this product

## Accessories

### Optional accessories

#### Tool holder accessories

##### [tube, M6x48,45°](#)

Product ID : 10683174

Previous product ID : W63501.2622

TH accessories  
category  
Cooling lubricant tube

Mounting  
M6

##### [plate, height 4 mm \(0.15"\)](#)

Product ID : 11011909

Previous product ID : W94060.4806

TH accessories  
category  
Compensation plate

Mounting  
Square 16x16

#### Other accessories

##### [BALL SPRAY NOZZLE 12D/M6](#)

Product ID : 10602750

Previous product ID : 474550.0101

##### [Lens head screw](#)

Product ID : 10344546

Previous product ID : 410243.0406

---