

WFB 32-20 D16, Pendulum

Technical data

TH accessories category

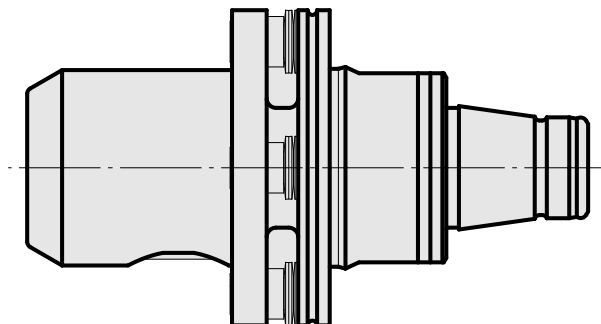
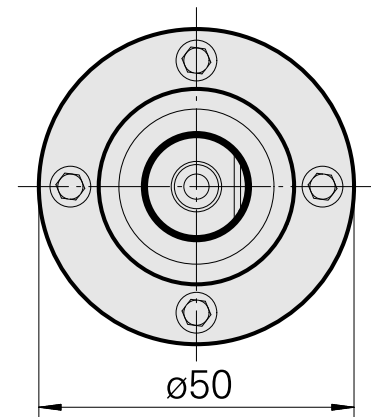
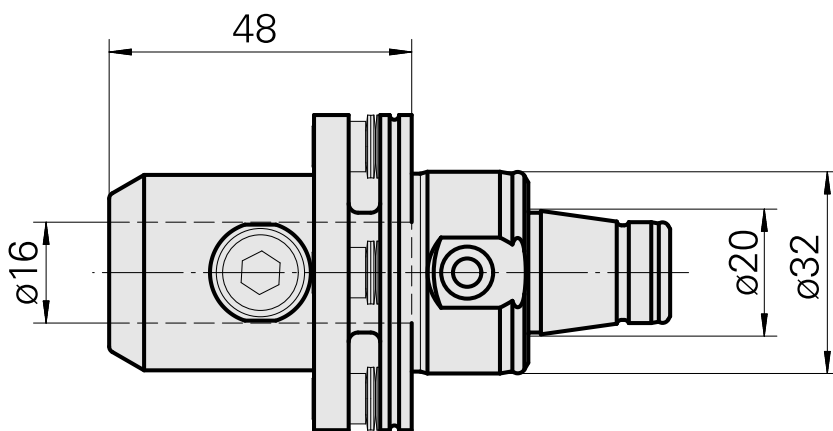
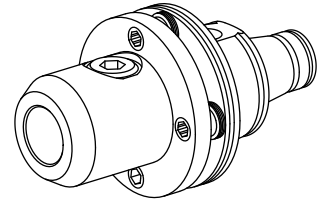
WFB 32-20

Mounting

D16

Quick change inserts

Weldon mounting



Documents

No downloads available for this product

Accessories

Optional accessories

Other accessories

[Mounting sleeve with collar D16](#)

Product ID : 10914323

Previous product ID : W67511.04--
