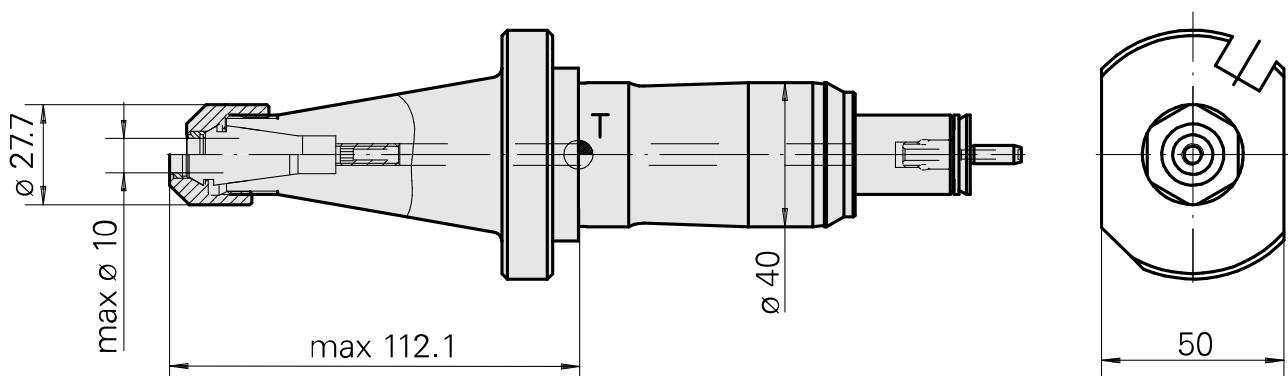
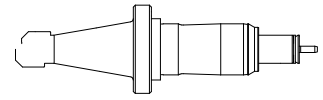


Drilling tool holder Shank 40 ER16

Technical data

| | |
|-----------------------------|---------------|
| Shank TNL | Shank 40 |
| Drive | not live |
| Cooling | internal |
| Pressure | 120 bar |
| Mounting | ER16 |
| INDEX TRAUB products | TNK36 • TNL26 |



Documents

No downloads available for this product

Accessories

Required for operation

[Spanner](#)

Product ID : 10966369

Previous product ID : 490219.0161

| | | | |
|--|------------------|----------------------|------------------------------------|
| TH accessories category Tool | Mounting ER16 | Collet type ER 16 | Clamping nut type Female thread |
| Tools for Collet chucks Clamping nut wrench | | | |

Optional accessories

Tool holder accessories

[Clamping nut, for internal cooling lubricant supply](#)

Product ID : 11065621

Previous product ID : 901939.3161

| | | | |
|---|------------------|----------------------|------------------------------------|
| TH accessories category Clamping nut | Mounting ER16 | Collet type ER 16 | Clamping nut type Female thread |
|---|------------------|----------------------|------------------------------------|

Other accessories

[Clamping collet](#)

Product ID : 10589709

Previous product ID : W99903--

[Clamping collet](#)

Product ID : 10834596

Previous product ID : 901930.1---

10170726
986944

INDEX

[tapping tool collet](#)

Product ID : 10865233
Previous product ID : WZ9990.9506F

[tapping tool collet ET-1-16](#)

Product ID : 10542491
Previous product ID : 3230--

[Collet chuck](#)

Product ID : 10870393
Previous product ID : W999065-

[Clamping collet, sealed](#)

Product ID : 10433061
Previous product ID : W999083-

[Sealing washer](#)

Product ID : 10324863
Previous product ID : W999036-
