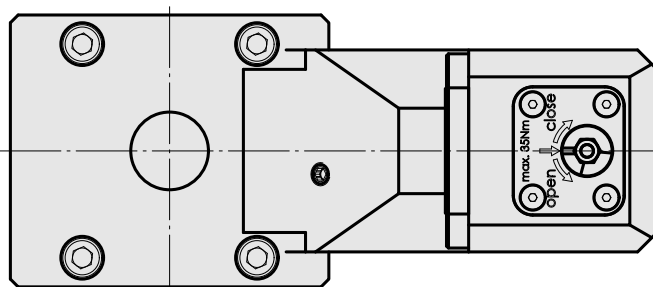
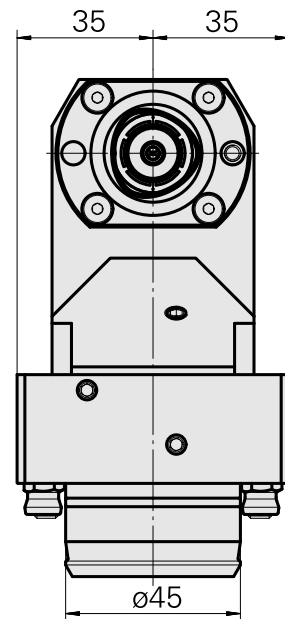
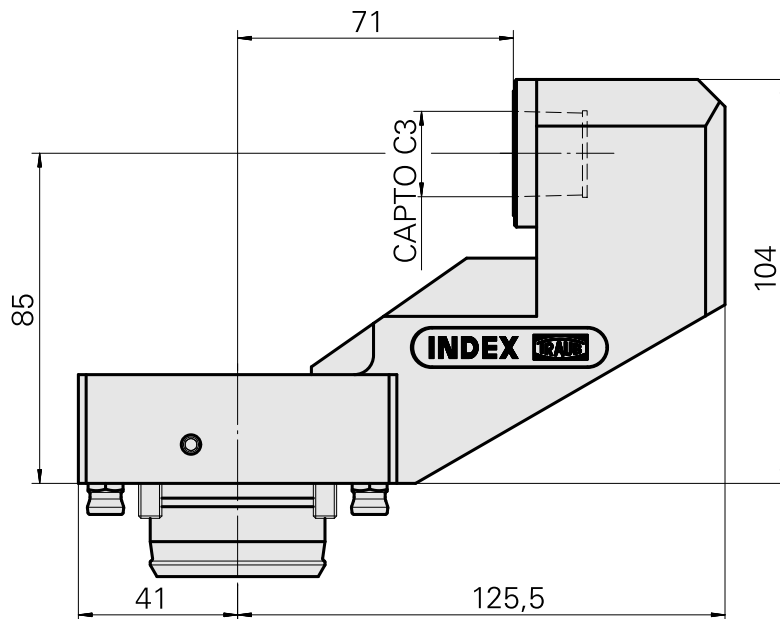


Basic holder KPS 45 INDEX CAPTO C3

Technical data

| | |
|-----------------------------|--|
| Shank KPS | KPS 45 |
| Drive | not live |
| Cooling | internal |
| Mounting | INDEX CAPTO C3 |
| Pressure | 80/120 bar |
| reversible 180° | no |
| X [mm] | 85 (3.35") |
| Y [mm] | - |
| Z [mm] | -71 (-2.80) |
| INDEX TRAUB products | TNL18 • TNL20 • TNL32-11 • TNL32 • TNL32-11 compact • TNL20-11 • TNL32 compact • TNK40.2-10 • TNL20.2 • TNK40.2 |



Documents

Product notes

[FR \(pdf\)](#)

[EN \(pdf\)](#)

[DE \(pdf\)](#)

Accessories

Optional accessories

Other accessories

[Adapter INDEX CAPTO C3 rotating](#)

Product ID : 10925971

Previous product ID : WZ9990.3000F

[Adapter INDEX CAPTO C3 fixed](#)

Product ID : 12062333

Previous product ID :
