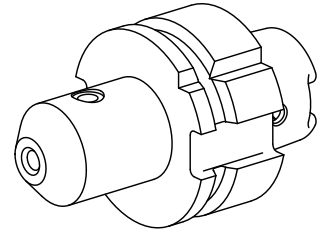


---

## Drilling tool holder HSK 50 B50/D50/C40

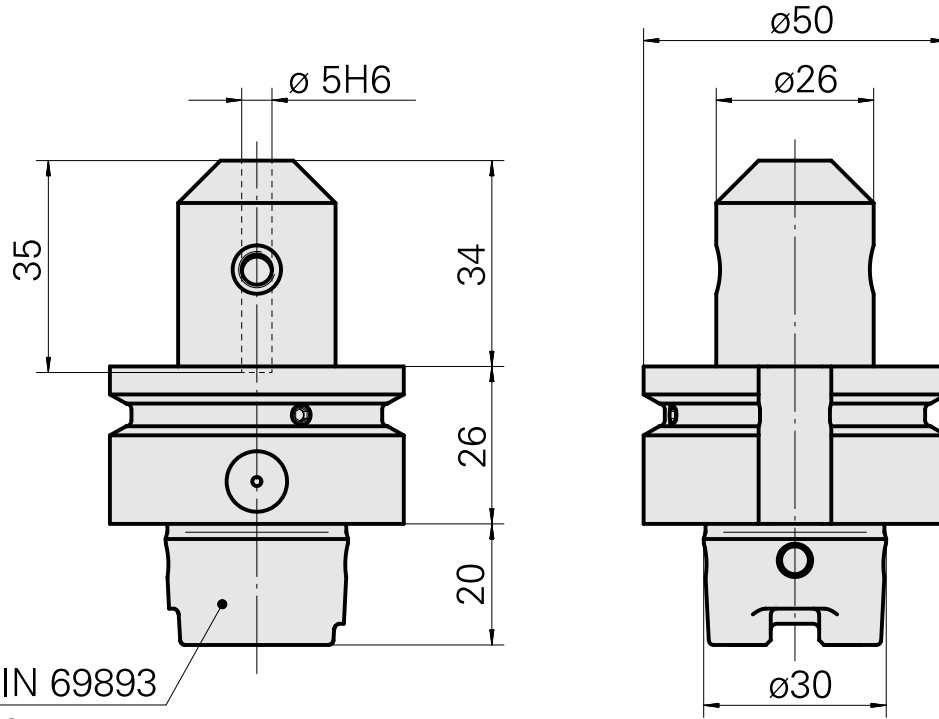
### Technical data

<b>Shank HSK</b>	HSK 50
<b>Form HSK</b>	B50/D50/C40
<b>Mounting</b>	DIN 1835 B/E D5
<b>Cooling</b>	internal
<b>Pressure</b>	40 bar
<b>X [mm]</b>	60 (2.36")
<b>INDEX TRAUB products</b>	G300 • V100 • V200 • G200 • V300

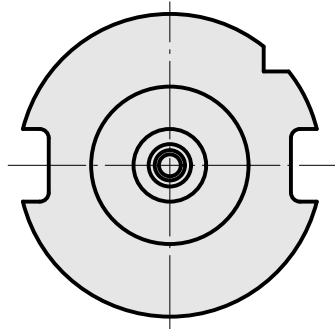


### Note

Form B - cooling lubricant is supplied via the collar!



DIN 69893  
HSK 50  
B50/D50/C40



## **Documents**

No downloads available for this product