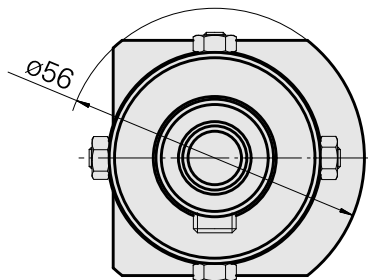
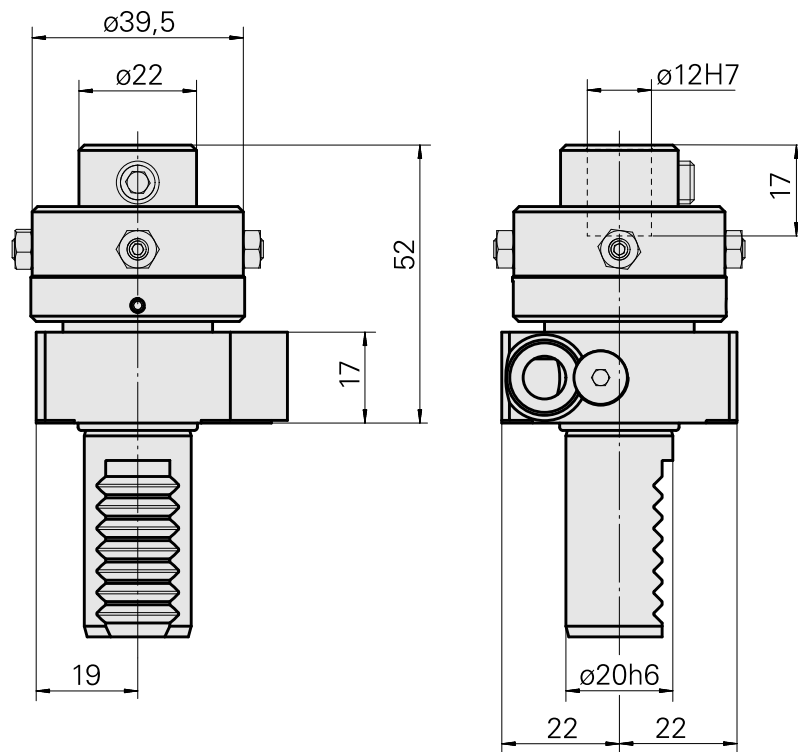


## Reaming tool holder VDI 20 D12 (0.47"), adjustable

### Technical data

|                 |            |
|-----------------|------------|
| Shank VDI       | VDI 20     |
| Drive           | not live   |
| Fixation VDI    | none       |
| Cooling         | external   |
| Pressure        | 20 bar     |
| Mounting        | D12        |
| reversible 180° | no         |
| X [mm]          | 52 (2.05") |
| Y [mm]          | —          |
| Z [mm]          | —          |



## **Documents**

No downloads available for this product

## **Accessories**

Optional accessories

**Other accessories**

[Clamping sleeve D12](#)

Product ID : 10964938

Previous product ID : 993112.----

---