

## WFB 20-12 ER8

### Technical data

TH accessories category

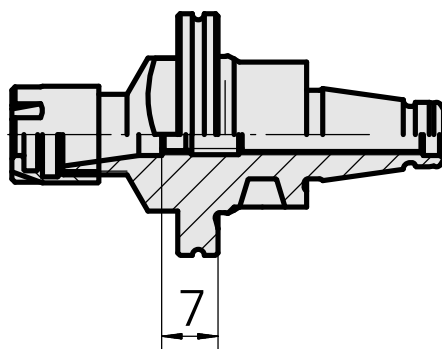
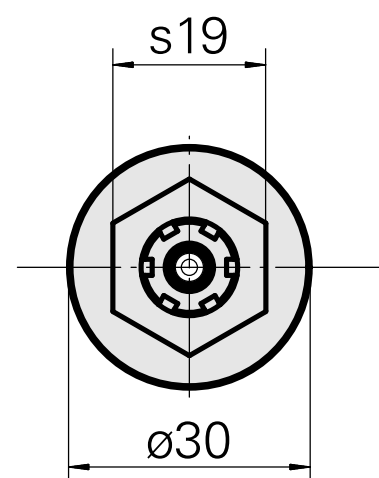
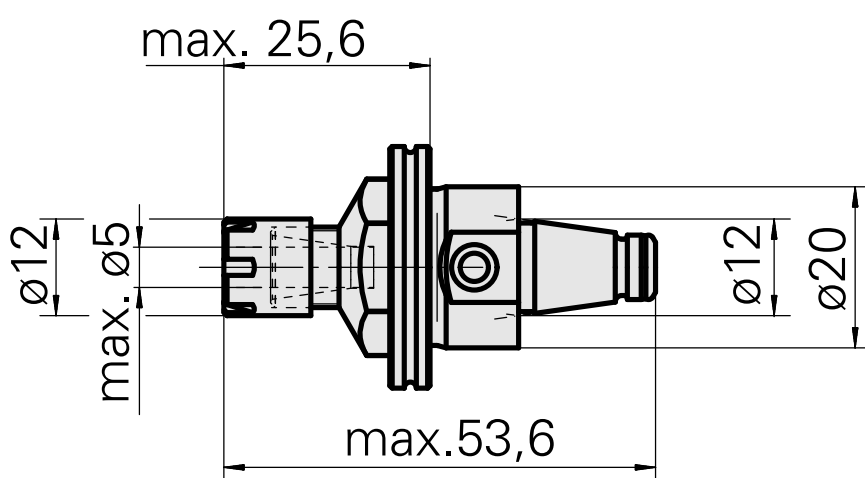
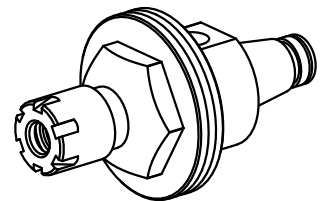
WFB 20-12

Mounting

ER8

Quick change inserts

collet mounting



---

## Documents

No downloads available for this product

## Accessories

Required for operation

### [Spanner](#)

Product ID : 11077222

Previous product ID : 323118

TH accessories category Tool	Mounting ER8	Collet type ER 8	Clamping nut type Female thread diameter reduced
Tools for Collet chucks Clamping nut wrench			

## Optional accessories

### Tool holder accessories

### [Clamping nut](#)

Product ID : 10490215

Previous product ID : 323117

TH accessories category Clamping nut	Mounting ER8	Collet type ER 8	Clamping nut type Female thread diameter reduced
---	-----------------	---------------------	---

### Other accessories

### [Clamping collet](#)

Product ID : 10719579

Previous product ID : 901930.8---

---

### [Adjusting screw M 5x10](#)

Product ID : 10674886

Previous product ID : 326793

---