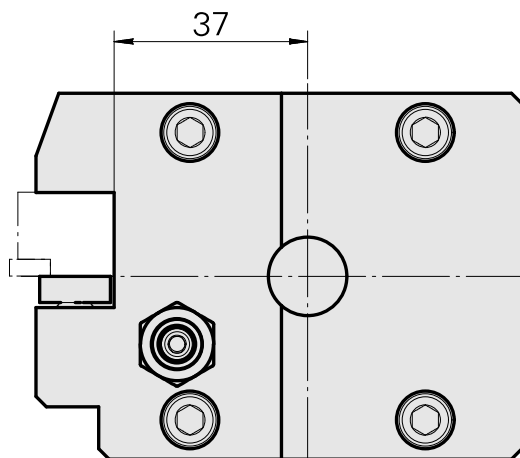
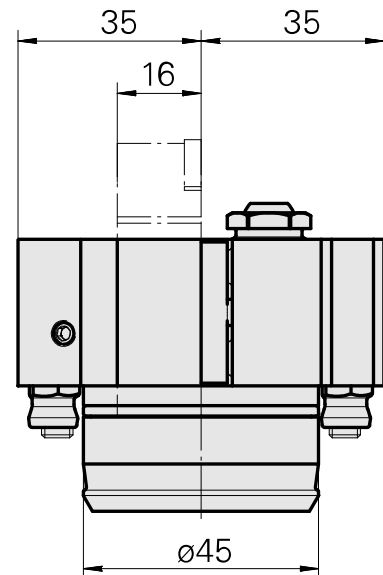
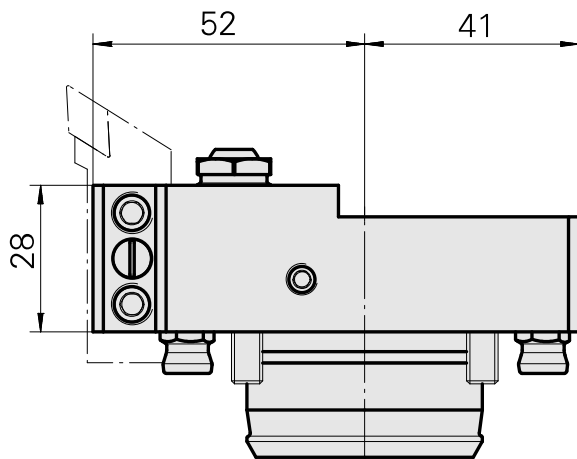
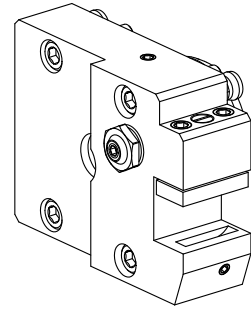


Turning tool holder

Technical data

Shank KPS	KPS 45
Drive	not live
Cooling	external and internal
Mounting	Square 16x16
Pressure	80 bar
X [mm]	28 (1.10")
Y [mm]	–
Z [mm]	52 (2.05)
INDEX TRAUB products	TNL20 • TNK40.2-8B • TNL32-11 compact



Documents

No downloads available for this product

Accessories

Optional accessories

Other accessories

[Nozzle Kugel D10 - Bohrung D2 40°](#)

Product ID : 10072335

Previous product ID : 910693

[HOLLOW SCREW M14x1 M14x1](#)

Product ID : 10105238

Previous product ID : W67530.0818

[BUSHING 10 D x 6 D x 12,5](#)

Product ID : 10670360

Previous product ID : W67530.0824

[Coolant Nozzle](#)

Product ID : 11031912

Previous product ID : W67500.3208
