

Adapter mounting aid Quill D36 (1.42 ")

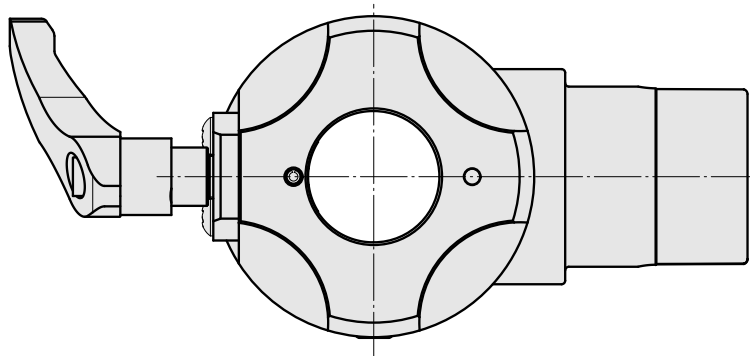
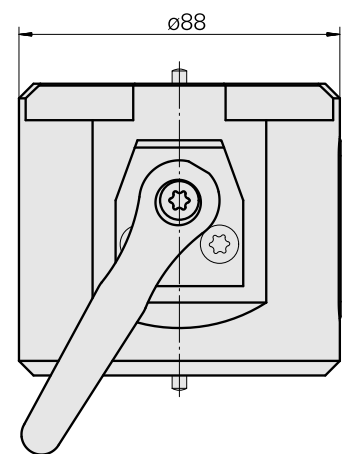
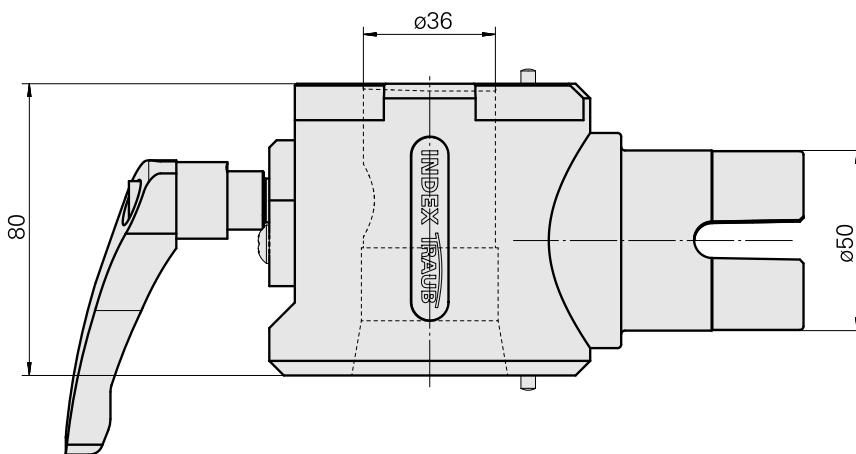
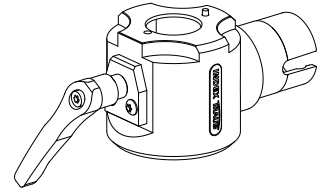
Technical features

TH accessories category

Adapter mounting aid

Tool mounting

Quill D36 (1.42 ")



Documents

No downloads available for this product