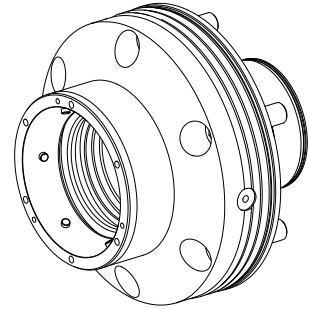


## Chuck

### Technical data

|                                       |  |
|---------------------------------------|--|
| <b>INDEX TRAUB products</b>           | B500 • TNA500.2 • B500.3 •<br>TNA500.3 |
| <b>Spindle clearance</b>              | 102mm                                  |
| <b>Machining side</b>                 | Main spindle                           |
| <b>Ext. manufact. product feature</b> | Modular                                |
| <b>manufacturer product line</b>      | SPANNTOP nova chuck                    |
| <b>Spindle mounting</b>               | KK11                                   |
| <b>Clamping device size</b>           | SK100                                  |
| <b>manufacturer product line</b>      | Hainbuch                               |



No 3-side view is currently available for this product

## **Documents**

No downloads available for this product