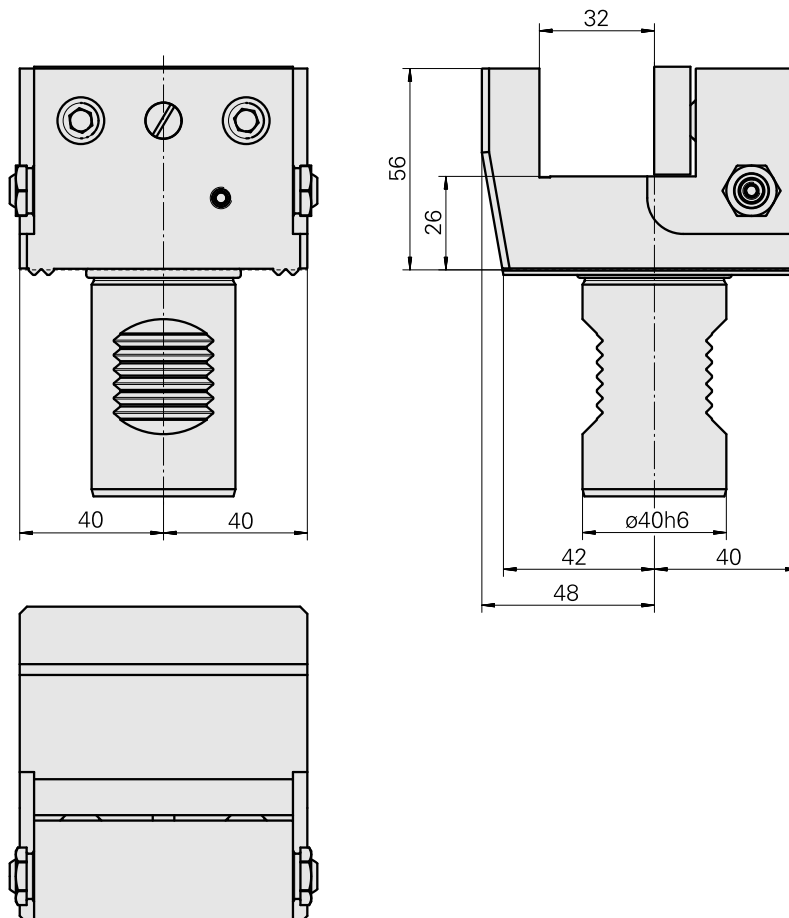
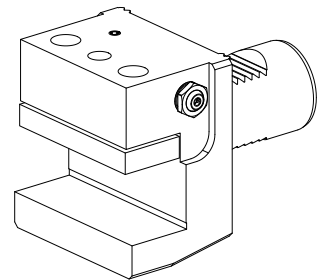


Turning tool holder VDI 40 square 32x32, Form B1/B4

Technical data

Shank VDI	VDI 40
Drive	not live
Fixation VDI	W serration
Cooling	external
Pressure	80 bar
Mounting	Square 32x32
reversible 180°	yes
X [mm]	56 (2.20")
Y [mm]	–
Z [mm]	40 (1.57)
INDEX TRAUB products	B400 • B500 • G400.2 • G420 • TNA500.2 • TNA400.2 • G500 • G520 • G300.2 • G320.2 • B400.3 • TNA400.3 • B500.3 • TNA500.3



Documents

No downloads available for this product

Accessories

Optional accessories

Tool holder accessories

[Coolant tube, L=100 mm \(3.93"\)](#)

Product ID : 10346684

Previous product ID : W9990559

TH accessories
category
Cooling lubricant tube

Mounting
M6

Other accessories

[HOLLOW SCREW M14x1 M14x1](#)

Product ID : 10105238

Previous product ID : W67530.0818

[Sealing kit](#)

Product ID : 12181693

Previous product ID :

[BUSHING 10 D x 6 D x 12,5](#)

Product ID : 10670360

Previous product ID : W67530.0824

[Blanking plug MIT O-RING 479105.1200](#)

Product ID : 10988240

Previous product ID : W68540.2014

Coolant Nozzle

Product ID : 11031912

Previous product ID : W67500.3208
