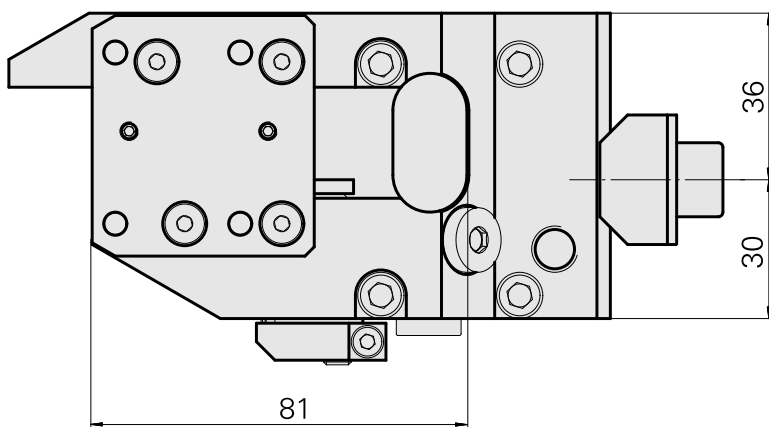
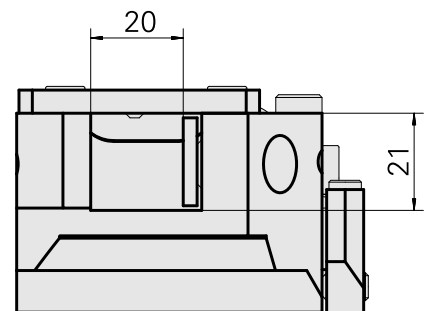
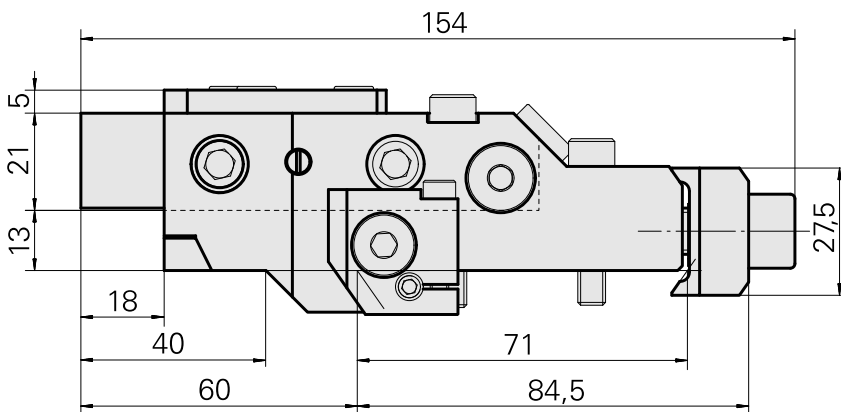


## Turning tool holder (G)

### Technical data

|                             |   |
|-----------------------------|---|
| <b>Slide system MS</b>      | MS16/MS22                                   |
| <b>Drive</b>                | not live                                    |
| <b>Fixation MS</b>          | Dovetail                                    |
| <b>Cooling</b>              | external                                    |
| <b>Pressure</b>             | 20 bar                                      |
| <b>Direction</b>            | right-handed run                            |
| <b>Mounting</b>             | Square 20x20                                |
| <b>X [mm]</b>               | 60 (2.36")                                  |
| <b>Y [mm]</b>               | –   |
| <b>Z [mm]</b>               | 13 (0.51)                                   |
| <b>INDEX TRAUB products</b> | A100 • MS22-6 • MS22-8 •<br>MS24-6 • MS24-8 |



---

## Documents

No downloads available for this product

## Accessories

Optional accessories

**Tool holder accessories**

[Plate, height 4 mm \(0.15"\)](#)

Product ID : 10508297

Previous product ID : W9990082

TH accessories  
category  
Compensation plate

Mounting  
Square 20x20