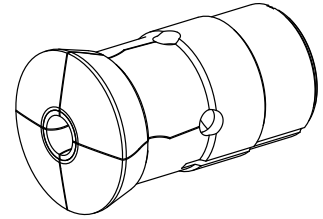


Guide bush T229 Ø=8,00

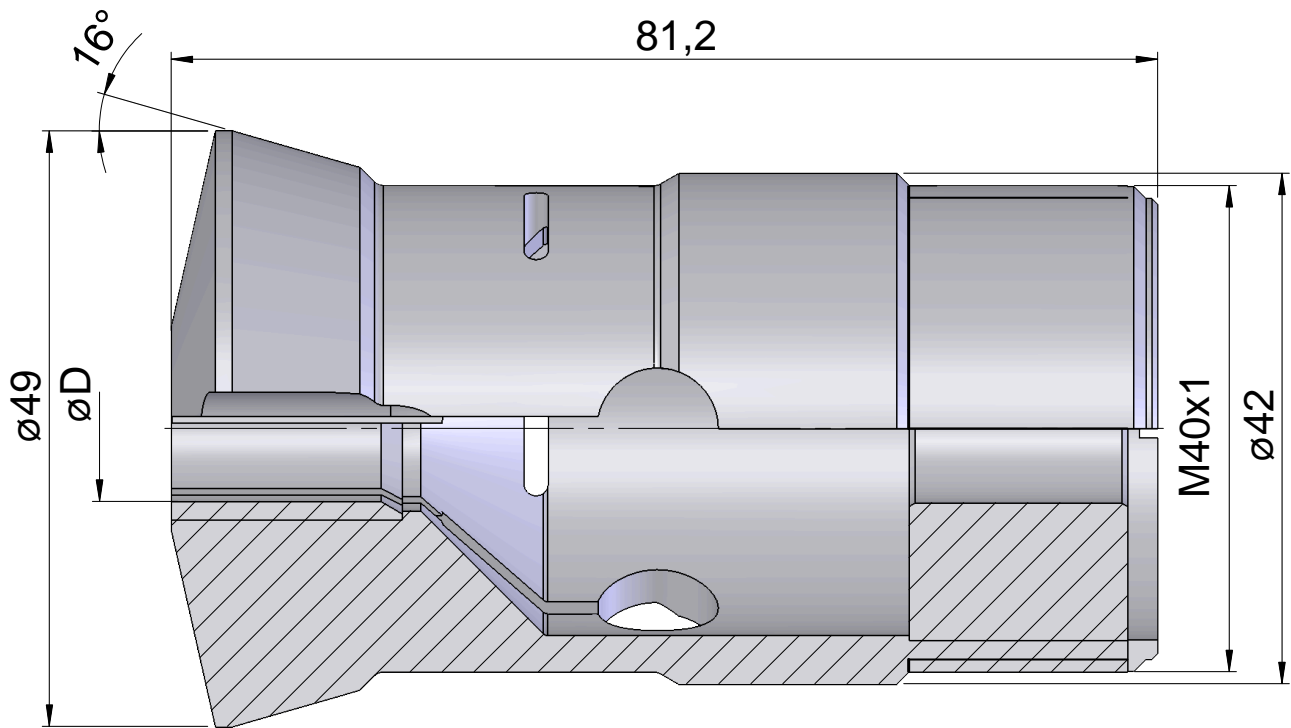
Technical data

Clamping device size	T229 deadlength
Ext. manufacturer product line	
Clamping type	with carbide insert
Nominal diameter (mm)	8 Millimeter
Clamping method	External clamping
Collet design	programmable (Axfix)
Collet version	S-slot
Ext. manufacturer product line	Schlenker



Note

with bushing



Documents

No downloads available for this product