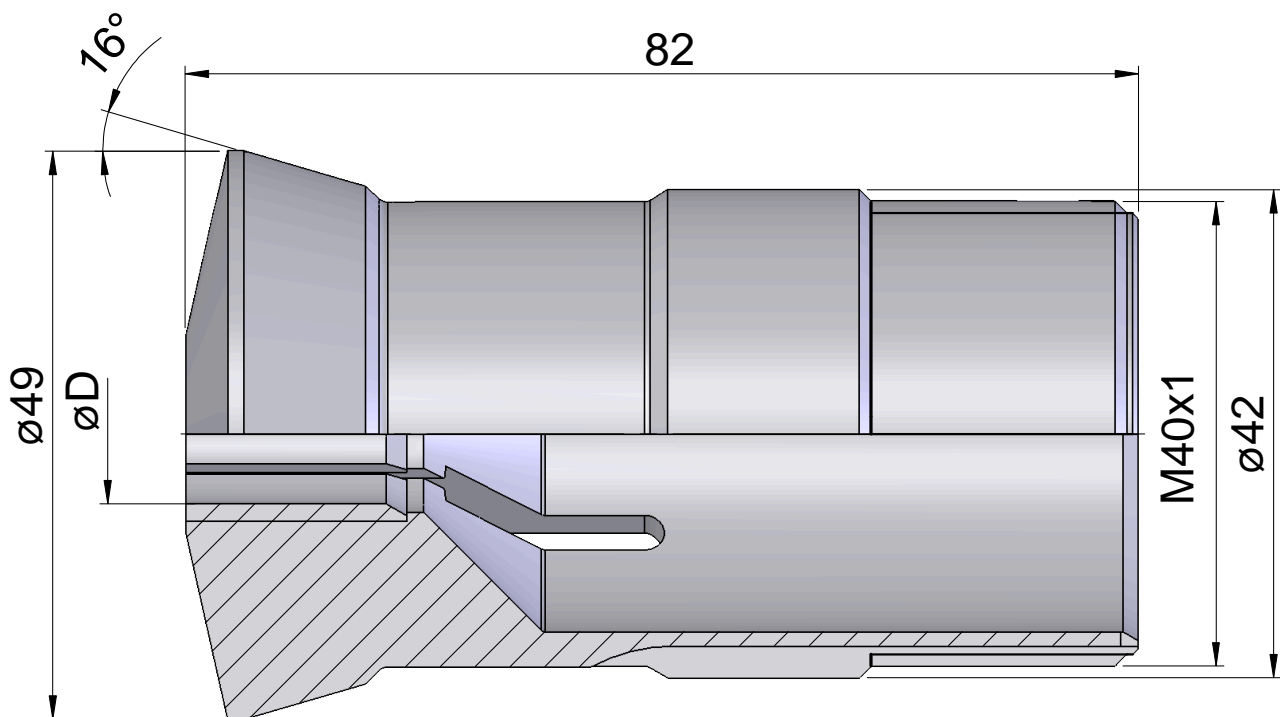
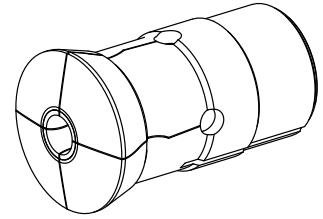


Guide bush T229 $\text{\O} = 4,00$

Technical data

| | |
|---------------------------|---------------------|
| Clamping device size | T229 |
| manufacturer product line | |
| Clamping type | with carbide insert |
| Nominal diameter (mm) | 4 Millimeter |
| Clamping method | External clamping |
| Collet design | adjustable |
| Collet version | S-slot |
| manufacturer product line | Schlenker |



Documents

No downloads available for this product