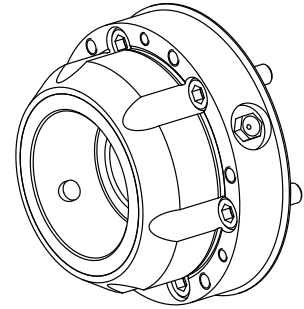


Chuck

Technical data

INDEX TRAUB products	MS16-6
Spindle clearance	16mm
Machining side	Synchronous spindle
Ext. manufact. product feature	Kombi Axfix
manufacturer product line	SPANNTOP nova chuck
Spindle mounting	AP63
Clamping device size	SK16
manufacturer product line	Hainbuch



No 3-side view is currently available for this product

Documents

No downloads available for this product