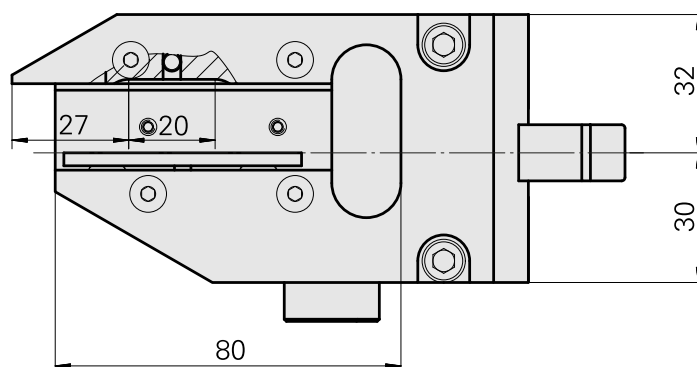
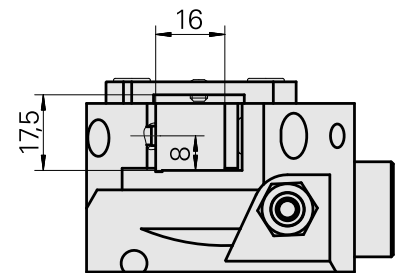
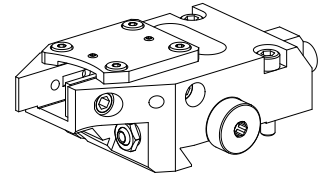


## Turning tool holder MS16/MS22 Square 16x

### Technical data

|                      |                                                                          |
|----------------------|--------------------------------------------------------------------------|
| Slide system MS      | MS16/MS22                                                                |
| Drive                | not live                                                                 |
| Fixation MS          | Dovetail                                                                 |
| Cooling              | external and internal                                                    |
| Pressure             | 80 bar                                                                   |
| Direction            | right-handed run                                                         |
| Mounting             | Square 16x16                                                             |
| X [mm]               | 49,2 (1,94")                                                             |
| Y [mm]               | –                                                                        |
| Z [mm]               | 14.5 (0.57)                                                              |
| INDEX TRAUB products | MS16-6 • MS24-6 • MS22-6 •<br>MS22-8 • MS22-6L • MS24-8 •<br>MS16-6 Plus |



|   |      |
|---|------|
| X | 49,2 |
|---|------|

## Documents

No downloads available for this product

## Accessories

### Optional accessories

#### Tool holder accessories

#### [Plate, height 4 mm \(0.15"\)](#)

Product ID : 12050311

Previous product ID :

TH accessories  
category  
Compensation plate

Mounting  
Square 16x16

#### Other accessories

#### [Bush 4x8x12](#)

Product ID : 10831938

Previous product ID : W02010.0002

---

#### [Hollow screw M12x1](#)

Product ID : 10757766

Previous product ID : W02013.0001

---

#### [Ball nozzle D8xM5](#)

Product ID : 10392450

Previous product ID : W02019.0002

---