

## 3-jaw chuck

### Technical data

**INDEX TRAUB products**

B400 • TNA400.2 • B400.3 •  
TNA400.3

**Spindle clearance**

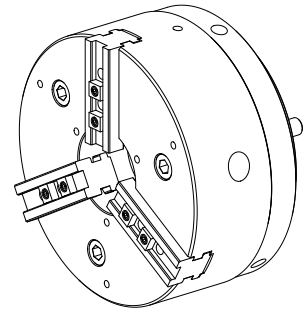
82mm

**Machining side**

Main spindle

**Spindle mounting**

KK 8



No 3-side view is currently available for this product

## **Documents**

No downloads available for this product