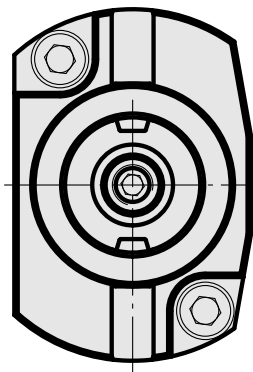
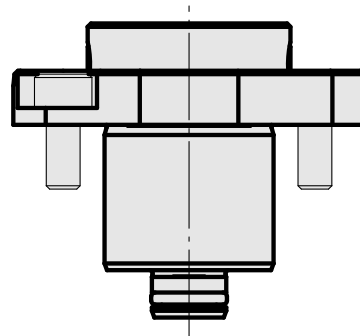
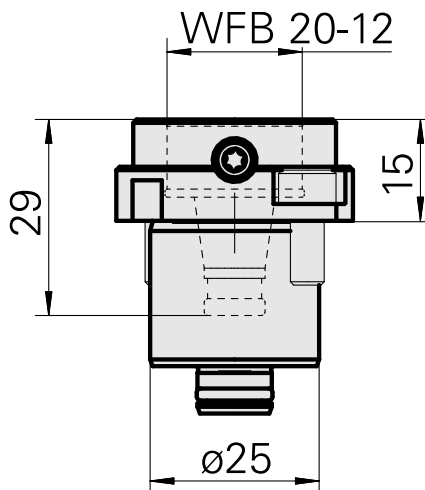


## Mount Shank 25 WFB 20-12

### Technical data

<b>Shank KPS</b>	Shank 25
<b>Drive</b>	not live
<b>Cooling</b>	internal
<b>Mounting</b>	WFB 20-12
<b>Pressure</b>	80 bar, internal 120 bar opt.
<b>X [mm]</b>	–
<b>Y [mm]</b>	–
<b>Z [mm]</b>	15 (0.59)
<b>INDEX TRAUB products</b>	TNL20 • TNL32-11 compact • TNL20-11 • TNL32 compact • TNK40.2-10 • TNK40.2-8 • TNL20.2



---

## Documents

### Product notes

[PT \(pdf\)](#)

[DE \(pdf\)](#)

[EN \(pdf\)](#)

[FR \(pdf\)](#)

## Accessories

### Optional accessories

#### Other accessories

#### [Adapter WFB 20-12 Horn S-Mini](#)

Product ID : 10777058

Previous product ID : 904012

---

#### [Adapter WFB 20-12 shrinking](#)

Product ID : 10477939

Previous product ID : 904006

---

#### [Adapter WFB 20-12 Weldon](#)

Product ID : 10221340

Previous product ID : 904007

---

#### [Adapter WFB 20-12 with collet mounting](#)

Product ID : 10625654

Previous product ID : 904008

---

#### [adapter WFB 20-12 mill arbor mounting](#)

Product ID : 10489061

Previous product ID : 904009

---

11080541  
W9991238

**INDEX**

---

[Adapter WFB 20-12 Hydr. expansion chuck](#)

Product ID : 10566889  
Previous product ID : 904010

---

[WFB for Turning tool holder](#)

Product ID : 10146029  
Previous product ID : 904011

---

[WFB for tap chuck](#)

Product ID : 11004600  
Previous product ID : WZ9990.9613F

---

[WFB miscellaneous mountings](#)

Product ID : 10243177  
Previous product ID : WZ9990.9612F

---

[TORX SCREW M6 X 7MM M 6x1x7](#)

Product ID : 10004947  
Previous product ID : 326171

---