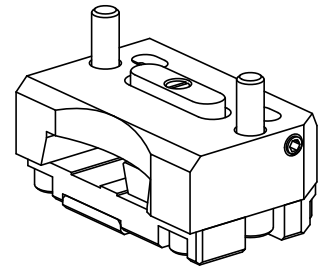


---

## Grooving tool holding block Trapezoid 26, with end stop

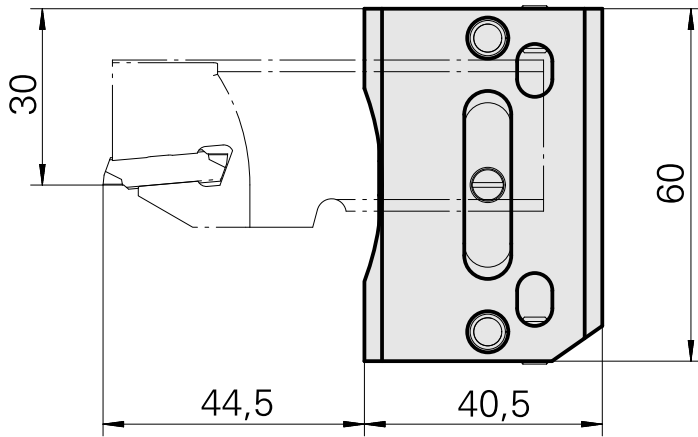
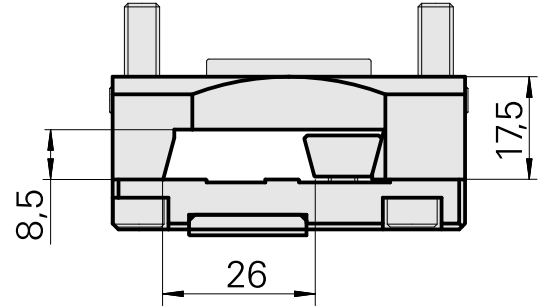
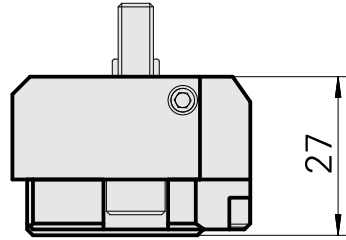
### Technical data

<b>Drive</b>	not live
<b>Direction</b>	right-handed run
<b>Mounting</b>	Trapezoid 26x8
<b>X [mm]</b>	40.5 (1.59")
<b>Y [mm]</b>	–
<b>Z [mm]</b>	9 (0.35)
<b>INDEX TRAUB products</b>	MS16-6 • MS16-6 Plus



### Note

Specially for left cutoff blades!



## **Documents**

No downloads available for this product

## **Accessories**

Optional accessories

**Other accessories**

[Clamping plate](#)

Product ID : 10575292

Previous product ID : W9990977

---